



RJ45 Integrated Connector Modules

Internal magnetics options available.
 Meets or exceeds IEEE 802.3 specification
 350 uH minimum OCL with 8 mA bias current
 High performance for maximum EMI suppression
 Minimum 1500 Vrms isolation per IEEE 802.3
 Requirement available with or without LEDs
RoHS " -R " peak solder rating 260°C, non-RoHS
 peak solder rating 225 for RoHS part, add suffix **-R**

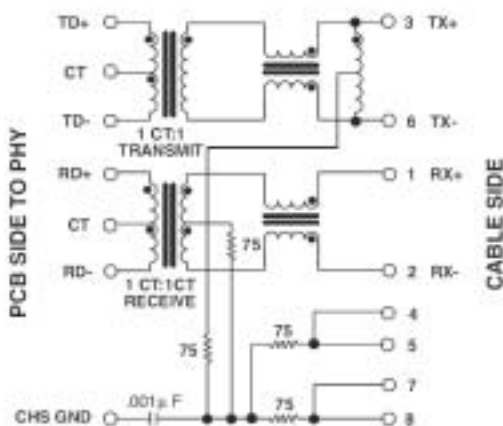


ELECTRICAL SPECIFICATIONS @ 25°C (Operating Temperature : 0°C to 70°C)

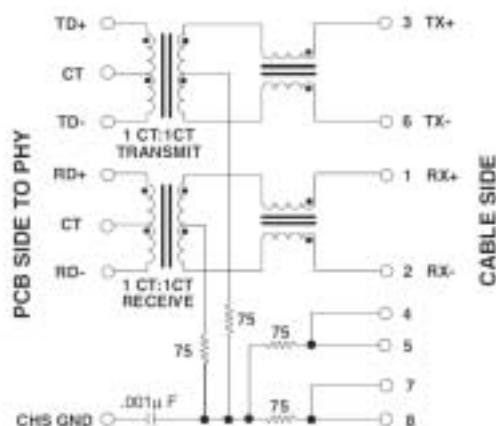
Part Number	Ports	Turns Ratios		EMI Fingers	LEDs L/F	Insertion Loss (dB typ)				Return Loss (dB typ)			Cross talk (dB typ)		Common Mode Rejection (dB typ)	
		TX	RX			L/R	1-65MHz	1-30MHz	30-60MHz	60-80MHz	1-30MHz	30-60MHz	60-80MHz	1-50MHz	50-150MHz	
RJ4201L RJ4201L-R	2x4	1CT:1	1CT:1	No	No	-1.0	-16	-12	-10	-40	-35	-30	-30	-20		
RJ4202L RJ4202L-R	2x4	1CT:1	1CT:1	No	No	-1.0	-16	-12	-10	-40	-35	-30	-30	-20		
RJ4203L RJ4203L-R	2x4	1CT:1	1CT:1	No	No	-1.0	-16	-12	-10	-40	-35	-30	-30	-20		
RJ6201L RJ6201L-R	2x6	1CT:1	1CT:1	No	No	-1.0	-16	-12	-10	-40	-35	-30	-30	-20		
RJ6202L RJ6202L-R	2x6	1CT:1	1CT:1	No	No	-1.0	-16	-12	-10	-40	-35	-30	-30	-20		
RJ6203L RJ6203L-R	2x6	1CT:1	1CT:1	No	No	-1.0	-16	-12	-10	-40	-35	-30	-30	-20		

SCHEMATICS

RJ4201L,RJ4201L-R
 RJ6201L,RJ6201L-R



RJ4202L,RJ4202L-R
 RJ6202L,RJ6202L-R



Specifications Subject To Change Without Notice

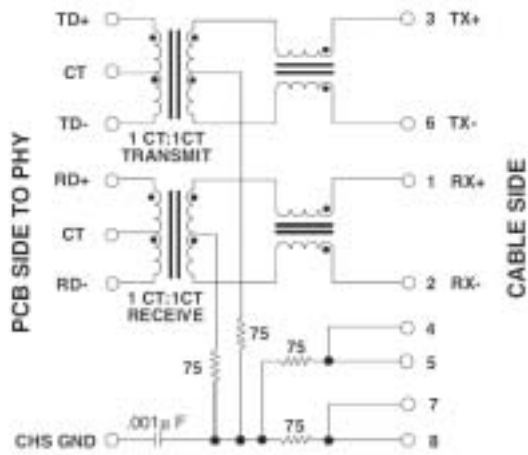
TAIWAN
 TEL: 00886-3-3310896
 FAX: 00886-3-3310865

DONGGUAN
 TEL: 086-769-86761589
 FAX: 086-769-86761549



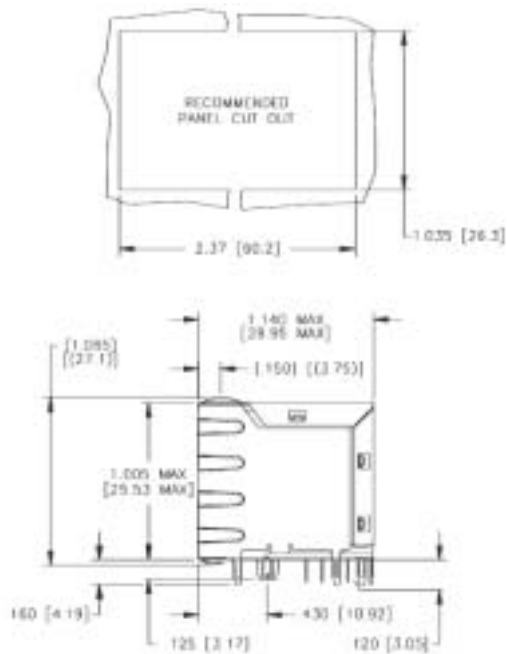
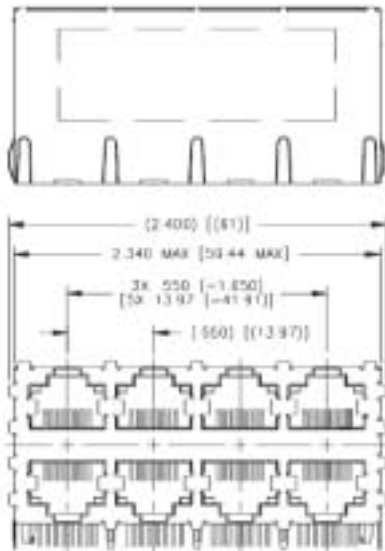
RJ45 Integrated Connector Modules

RJ4203L,RJ4203L-R
RJ6203L,RJ6203L-R



DIMENSIONS & MARKING

RJ4201L,RJ4201L-R
RJ4202L,RJ4202L-R
RJ4203L,RJ4203L-R



Specifications Subject To Change Without Notice

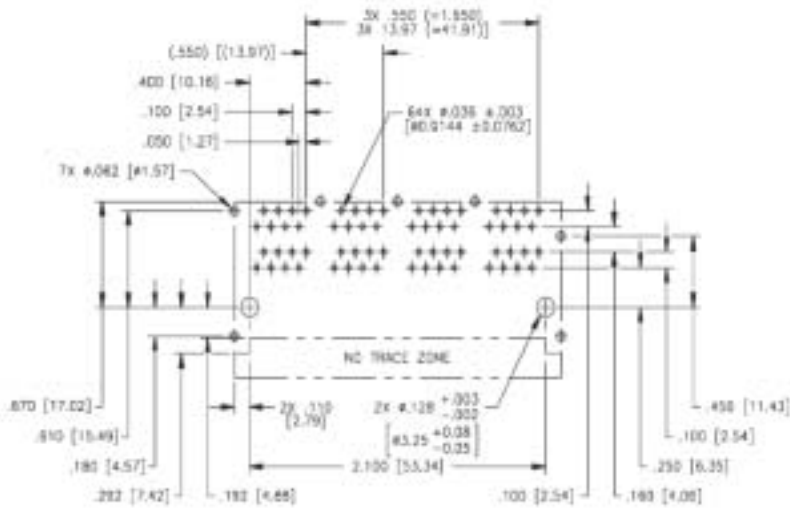
TAIWAN
TEL: 00886-3-3310896
FAX: 00886-3-3310865

DONGGUAN
TEL: 086-769-86761589
FAX: 086-769-86761549



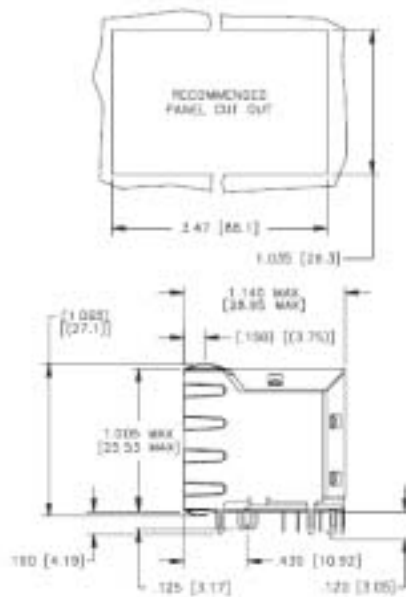
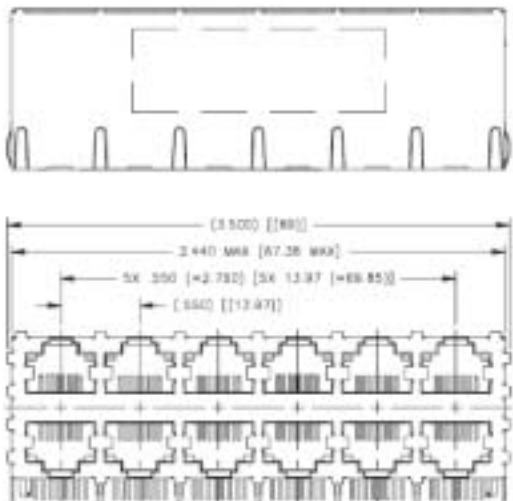
RJ45 Integrated Connector Modules

DIMENSIONS & MARKING



SUGGESTED PC BOARD LAYOUT VIEWED FROM COMPONENT SIDE
UNLESS OTHERWISE SPECIFIED DIMENSIONAL TOLERANCE IS ±.002

RJ6201L,RJ6201L-R
RJ6202L,RJ6202L-R
RJ6203L,RJ6203L-R



Specifications Subject To Change Without Notice

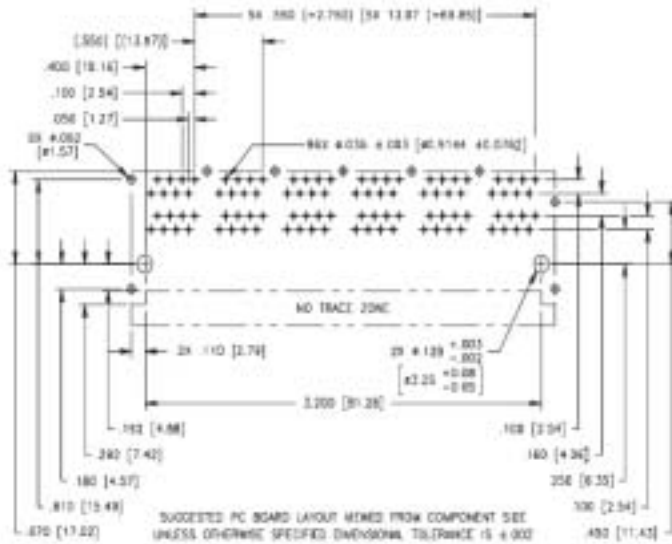
TAIWAN
TEL: 00886-3-3310896
FAX: 00886-3-3310865

DONGGUAN
TEL: 086-769-86761589
FAX: 086-769-86761549



RJ45 Integrated Connector Modules

DIMENSIONS & MARKING



Specifications Subject To Change Without Notice

TAIWAN
TEL: 00886-3-3310896
FAX: 00886-3-3310865

DONGGUAN
TEL: 086-769-86761589
FAX: 086-769-86761549