



1000 Base-T Transformer Modules

Transformer Module (10/100 Base-Tx) Designed For Voice Over IP Applications.

Compliant With IEEE802.3 & ANSI X3.326 Standard.

Dual Port Design For IP Phone And Switch Applications.

RoHS " -R" peak solder rating 260°C, non-RoHS peak solder rating 225°C For RoHS part, add suffix -R

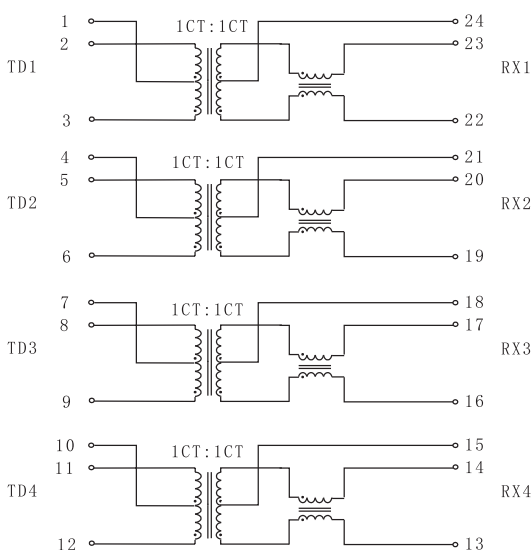
ELECTRICAL SPECIFICATIONS @ 25°C

Part Number	Insertion Loss (dB max)		Return Loss (dB min)			CMRR (dB min)			Crosstalk (dB min)	
	0.3-100MHz	0.3-30MHz	40MHz	50MHz	60-100MHz	0.3-30MHz	60MHz	80-100MHz	0.3-60MHz	60-100MHz
G24101MI G24101MI-R	-1.1	-16	-14	-13.5	-10	-40	-35	-30	-40	-30
G24102MI G24102MI-R	-1.1	-16	-14	-13.5	-10	-40	-35	-30	-40	-30
G24101MK G24101MK-R	-1.1	-16	-14	-13.5	-10	-40	-35	-30	-40	-30
G24202MK G24202MK-R	-1.1	-16	-14	-13.5	-10	-40	-35	-30	-40	-30
G48501MN G48501MN-R	-1.1	-16	-14	-13.5	-10	-40	-35	-30	-40	-30
G48502MN G48502MN-R	-1.1	-16	-14	-13.5	-10	-40	-35	-30	-40	-30
G48503MN G48503MN-R	-1.1	-16	-14	-13.5	-10	-40	-35	-30	-40	-30
G48501SN G48501SN-R	-1.1	-16	-14	-13.5	-10	-40	-35	-30	-40	-30

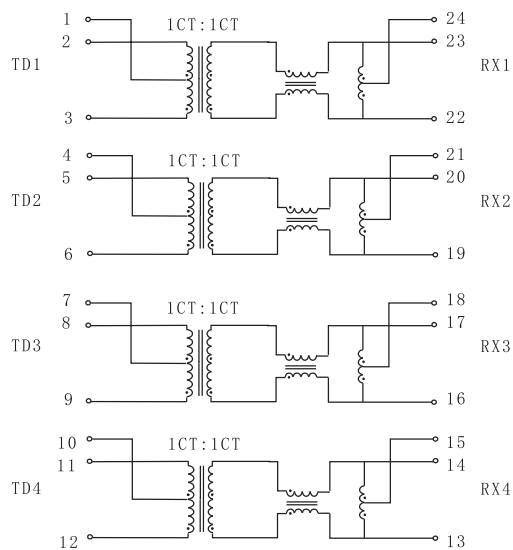
Note : All models meet Isolation Voltage (HiPot) of 1500Vrms

SCHEMATICS

G24102MI, G24102MK G24102MI-R,G24102MK-R



G24101MI, G24101MK G24101MI-R,G24101MK-R



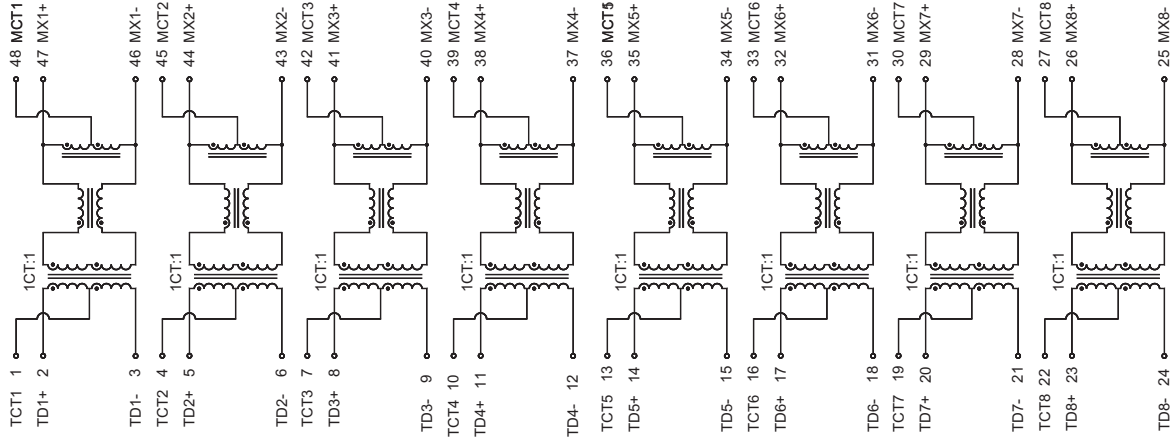
TAIWAN
TEL: 00886-3-3310896
FAX: 00886-3-3310865

DONGGUAN
TEL: 086-769-86761589
FAX: 086-769-86761549

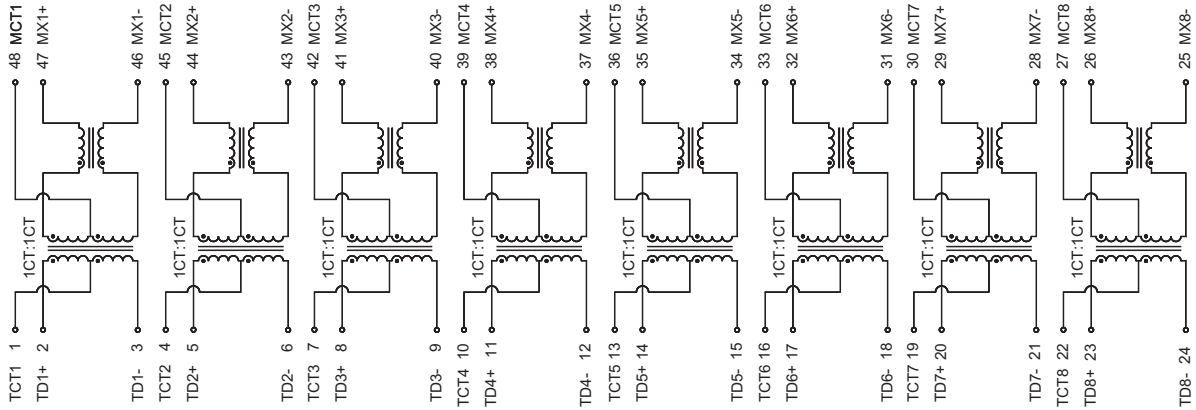
1000 Base-T Transformer Modules

SCHEMATICS

G48501MN G48503MN G48501SN
G48501MN-R G48503MN-R G48501SN-R



G48502MN
G48502MN-R

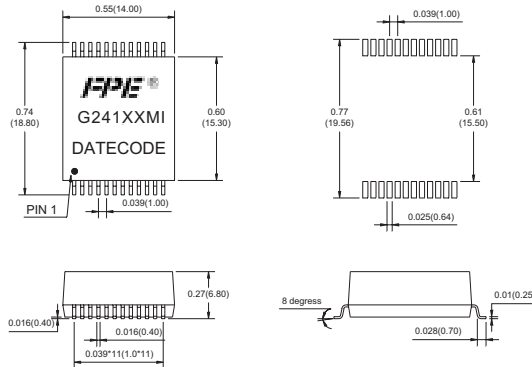




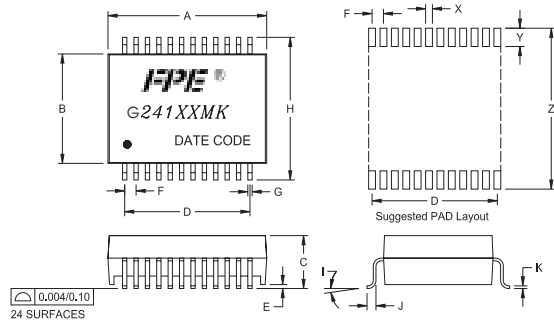
1000 Base-T Transformer Modules

MECHANICAL SPECIFICATIONS

G24101MI G24102MI
G24101MI-R G24102MI-R



G24101MK G24102MK
G24101MK-R G24102MK-R



DIM	MILLIMETERS			INCHES		
	MIN	MAX	NOM	MIN	MAX	NOM
A	17.88	18.38	18.13	0.704	0.724	0.714
B	11.95	12.45	12.20	0.470	0.490	0.480
C	5.95	6.45	6.20	0.234	0.254	0.244
D	13.72	14.22	13.97	0.540	0.560	0.550
E	0.10	0.40	0.25	0.004	0.016	0.010
F	1.17	1.37	1.27	0.460	0.540	0.050
G	0.43	0.53	0.48	0.017	0.021	0.019

DIM	MILLIMETERS			INCHES		
	MIN	MAX	NOM	MIN	MAX	NOM
H	15.75	16.25	16.00	0.620	0.640	0.630
I	0□	8□	4□	0□	8□	4□
J	0.90	1.10	1.00	0.035	0.043	0.039
K	0.25	0.35	0.30	0.010	0.014	0.012
X	0.71	0.81	0.76	0.028	0.032	0.030
Y	1.66	2.16	1.91	0.065	0.085	0.075
Z	16.16	16.66	16.41	0.636	0.656	0.646

1. DIMENSIONS : INCHES/(mm) UNLESS OTHERWISE SPECIFIED ALL TOLERANCES ARE ± 0.010(0.25).

For More Informations

TAIWAN
 TEL: 00886-3-3310896
 FAX: 00886-3-3310865

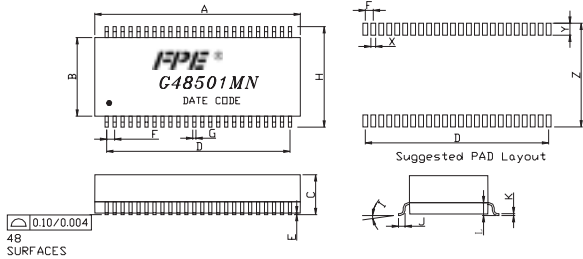
DONGGUAN
 TEL: 086-769-86761589
 FAX: 086-769-86761549



1000 Base-T Transformer Modules

MECHANICAL SPECIFICATIONS

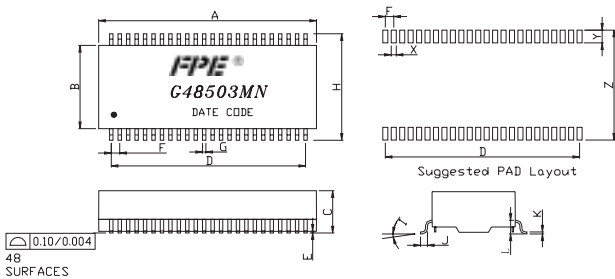
G48501MN G48502MN G48501SN
G48501MN-R G48502MN-R G48501SN-R



DIM	MILLIMETERS			INCHES		
	MIN	MAX	NOM	MIN	MAX	NOM
A	32.50	33.0	32.75	1.280	1.299	1.289
B	13.12	13.62	13.37	0.517	0.536	0.526
C	6.90	7.40	7.15	0.272	0.291	0.281
D	---	---	59.69	---	---	2.35
E	---	---	0.20	---	---	0.008
F	---	---	1.27	---	---	0.050
G	0.40	0.50	0.45	0.016	0.020	0.018
H	15.90	16.40	16.15	0.626	0.646	0.636

DIM	MILLIMETERS			INCHES		
	MIN	MAX	NOM	MIN	MAX	NOM
I	0	8	4	0	8	4
J	0.95	1.15	1.05	0.037	0.045	0.041
K	0.25	0.35	0.30	0.010	0.014	0.012
L	1.27	1.77	1.52	0.05	0.70	0.60
X	0.71	0.81	0.76	0.028	0.032	0.030
Y	1.66	2.16	1.91	0.065	0.085	0.075
Z	16.56	17.06	16.81	0.652	0.672	0.662

G48503MN
G48503MN-R



DIM	MILLIMETERS			INCHES		
	MIN	MAX	NOM	MIN	MAX	NOM
A	27.55	28.05	27.80	1.085	1.105	1.095
B	11.95	12.45	12.20	0.470	0.490	0.480
C	7.05	7.55	7.30	0.277	0.297	0.287
D	---	---	23.46	---	---	0.92
E	---	---	0.25	---	---	0.010
F	---	---	1.02	---	---	0.040
G	0.40	0.50	0.45	0.016	0.020	0.018
H	15.10	15.60	15.35	0.594	0.614	0.604

DIM	MILLIMETERS			INCHES		
	MIN	MAX	NOM	MIN	MAX	NOM
I	0	8	4	0	8	4
J	0.95	1.15	1.05	0.037	0.045	0.041
K	0.25	0.35	0.30	0.010	0.014	0.012
L	2.95	3.45	3.20	0.116	0.136	0.126
X	0.59	0.69	0.64	0.023	0.043	0.033
Y	1.66	2.16	1.91	0.065	0.085	0.075
Z	15.75	16.25	16.00	0.620	0.640	0.630

1. DIMENSIONS : INCHES/(mm) UNLESS OTHERWISE SPECIFIED ALL TOLERANCES ARE ± 0.010(0.25).

For More Informations

TAIWAN
 TEL: 00886-3-3310896
 FAX: 00886-3-3310865

DONGGUAN
 TEL: 086-769-86761589
 FAX: 086-769-86761549