



1000 Base-T Transformer Modules

Transformer Modules (10/100 Base-Tx) For Auto MDI / MDIX Applications.

Compliant With IEEE 802.3 and ANSI X3.236 Standard Including Baseline Wander Compensation Specification Of 350 μ H OCL When Biased at 8mA From 0°C to 70°C

Available In Through Hole Package (For Dual Port Only)

RoHS " -R" peak solder rating 260°C, non-RoHS peak solder rating 225°C For RoHS part, add suffix -R

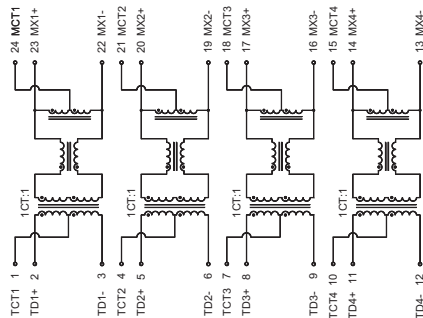
ELECTRICAL SPECIFICATIONS @ 25°C (Operating Temperature : 0°C to 70°C)

Part Number	Insertion Loss (dB max)		Return Loss (dB min)			CMRR (dB min)		Crosstalk (dB min)		
	0.3-100MHz	0.3-30MHz	40MHz	50MHz	60-100MHz	0.3-30MHz	60MHz	80-100MHz	0.3-60MHz	60-100MHz
G24101DL	-1.1	-16	-14	-13.5	-10	-40	-35	-30	-40	-30
G24101DL-R	-1.1	-16	-14	-13.5	-10	-40	-35	-30	-40	-30
G24102DL	-1.1	-16	-14	-13.5	-10	-40	-35	-30	-40	-30
G24102DL-R	-1.1	-16	-14	-13.5	-10	-40	-35	-30	-40	-30
G48101DL	-1.1	-16	-14	-13.5	-10	-40	-35	-30	-40	-30
G48101DL-R	-1.1	-16	-14	-13.5	-10	-40	-35	-30	-40	-30
G48102DL	-1.1	-16	-14	-13.5	-10	-40	-35	-30	-40	-30
G48102DL-R	-1.1	-16	-14	-13.5	-10	-40	-35	-30	-40	-30
G72101DL	-1.1	-16	-14	-13.5	-10	-40	-35	-30	-40	-30
G72101DL-R	-1.1	-16	-14	-13.5	-10	-40	-35	-30	-40	-30
G96101DL	-1.1	-16	-14	-13.5	-10	-40	-35	-30	-40	-30
G96101DL-R	-1.1	-16	-14	-13.5	-10	-40	-35	-30	-40	-30
G72101DK	-1.1	-16	-14	-13.5	-10	-40	-35	-30	-40	-30
G72101DK-R	-1.1	-16	-14	-13.5	-10	-40	-35	-30	-40	-30
G90101DK	-1.1	-16	-14	-13.5	-10	-40	-35	-30	-40	-30
G90101DK-R	-1.1	-16	-14	-13.5	-10	-40	-35	-30	-40	-30

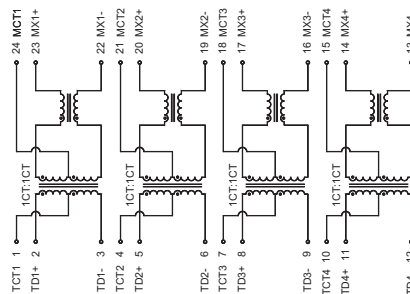
Note : All models meet Isolation Voltage (HiPot) of 1500Vrms

SCHEMATICS

G24101DL
G24101DL-R



G24102DL
G24102DL-R



TAIWAN
TEL: 00886-3-3310896
FAX: 00886-3-3310865

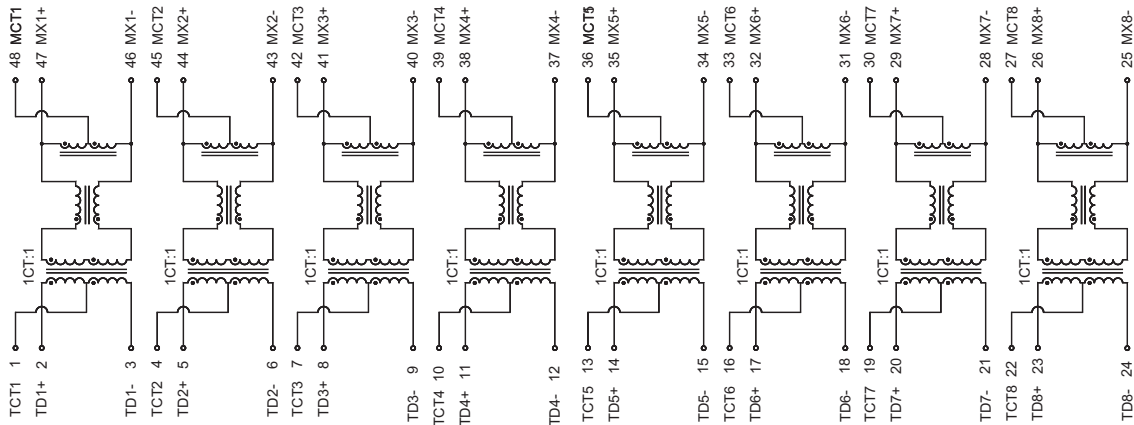
DONGGUAN
TEL: 086-769-86761589
FAX: 086-769-86761549



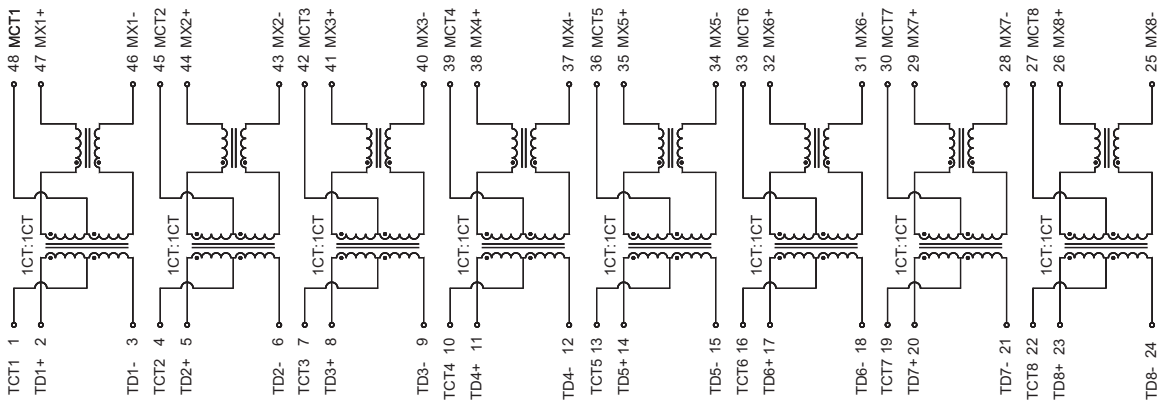
1000 Base-T Transformer Modules

SCHEMATICS

G48101DL G48101DL-R



G48102DL G48102DL-R



TAIWAN
TEL: 00886-3-3310896
FAX: 00886-3-3310865

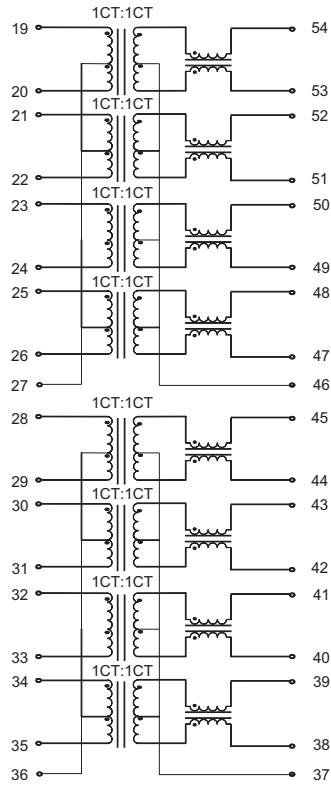
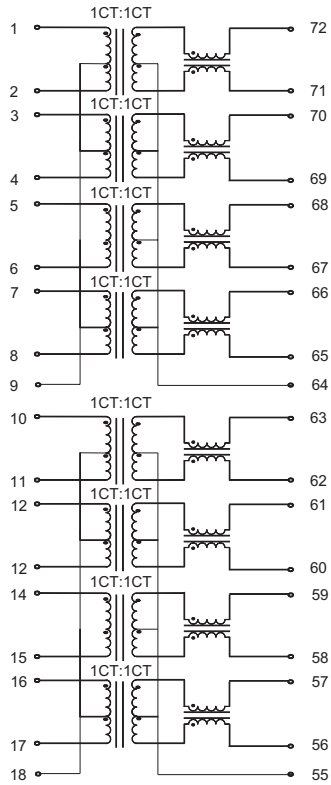
DONGGUAN
TEL: 086-769-86761589
FAX: 086-769-86761549



1000 Base-T Transformer Modules

SCHEMATICS

G72101DL G72101DK
G72101DL-R G72101DK-R



TAIWAN
TEL: 00886-3-3310896
FAX: 00886-3-3310865

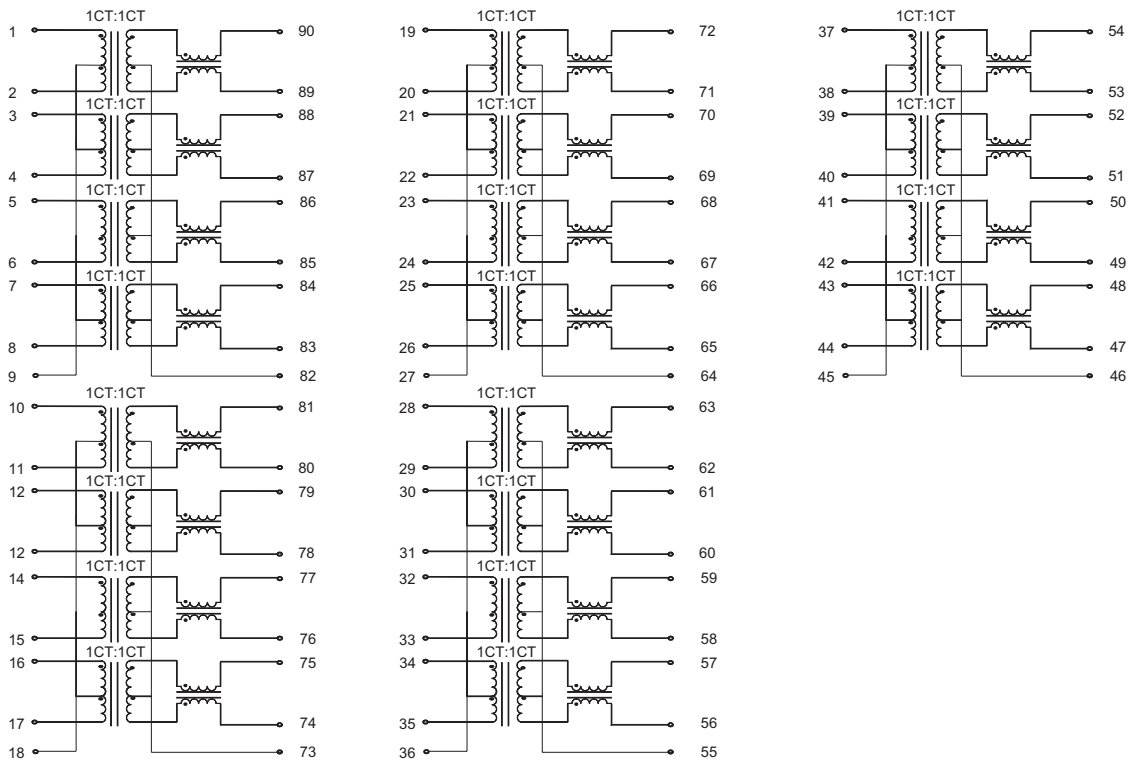
DONGGUAN
TEL: 086-769-86761589
FAX: 086-769-86761549



1000 Base-T Transformer Modules

SCHEMATICS (Continued)

G90101DK
G90101DK-R



TAIWAN
TEL: 00886-3-3310896
FAX: 00886-3-3310865

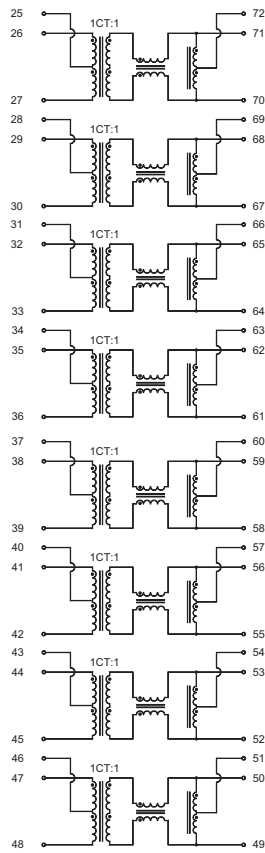
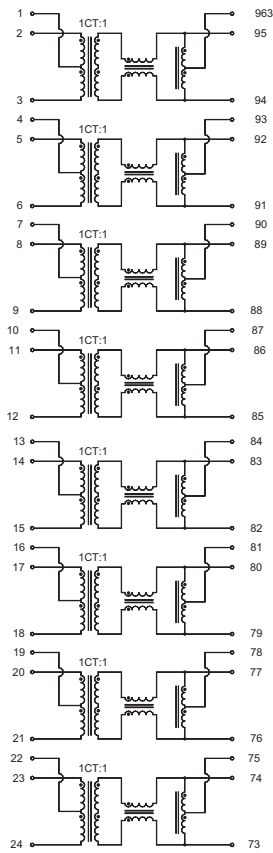
DONGGUAN
TEL: 086-769-86761589
FAX: 086-769-86761549



1000 Base-T Transformer Modules

SCHEMATICS (Continued)

G90101DL
G90101DL-R



TAIWAN
TEL: 00886-3-3310896
FAX: 00886-3-3310865

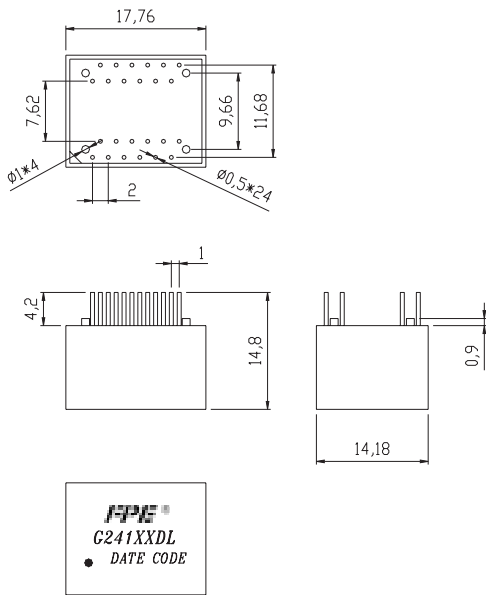
DONGGUAN
TEL: 086-769-86761589
FAX: 086-769-86761549



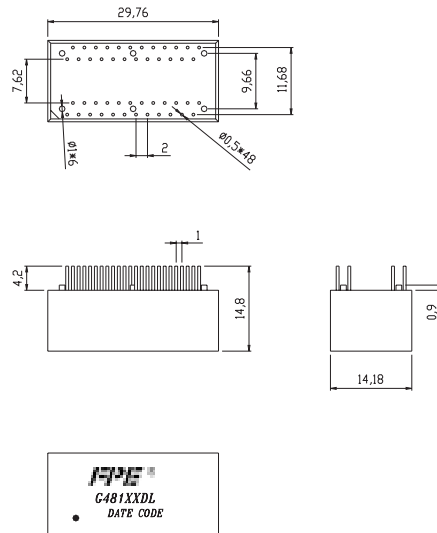
1000 Base-T Transformer Modules

MECHANICAL SPECIFICATIONS

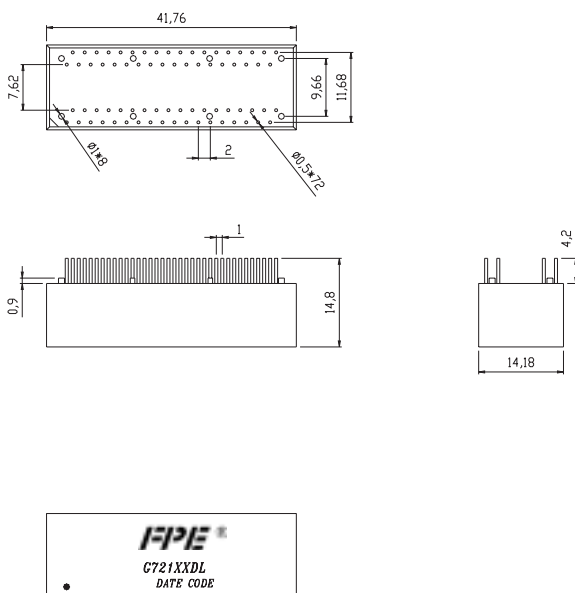
G24101DL, G24102DL
G24101DL-R G24102DL-R



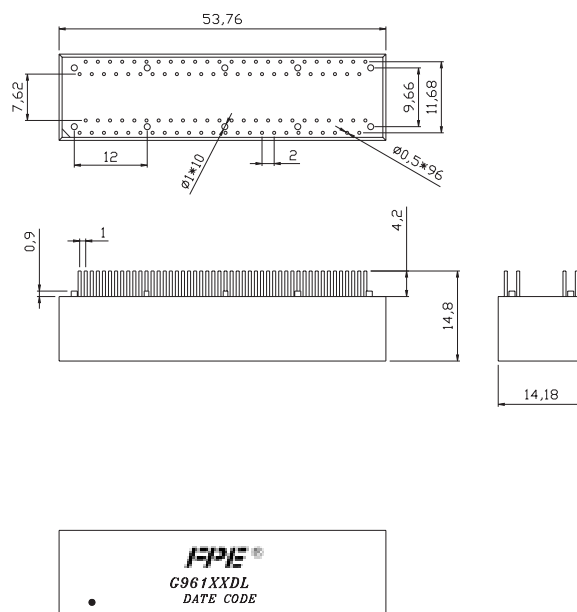
G48101DL G48102DL
G48101DL-R G48102DL-R



G72101DL,
G72101DL-R



G96101DL,
G96101DL-R



For More Informations

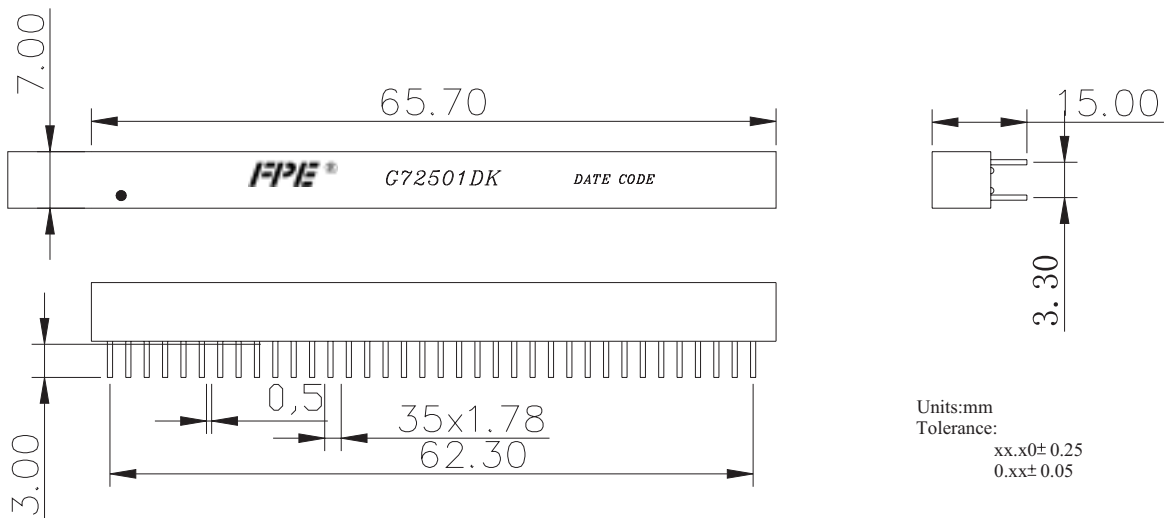
TAIWAN
TEL: 00886-3-3310896
FAX: 00886-3-3310865

DONGGUAN
TEL: 086-769-86761589
FAX: 086-769-86761549

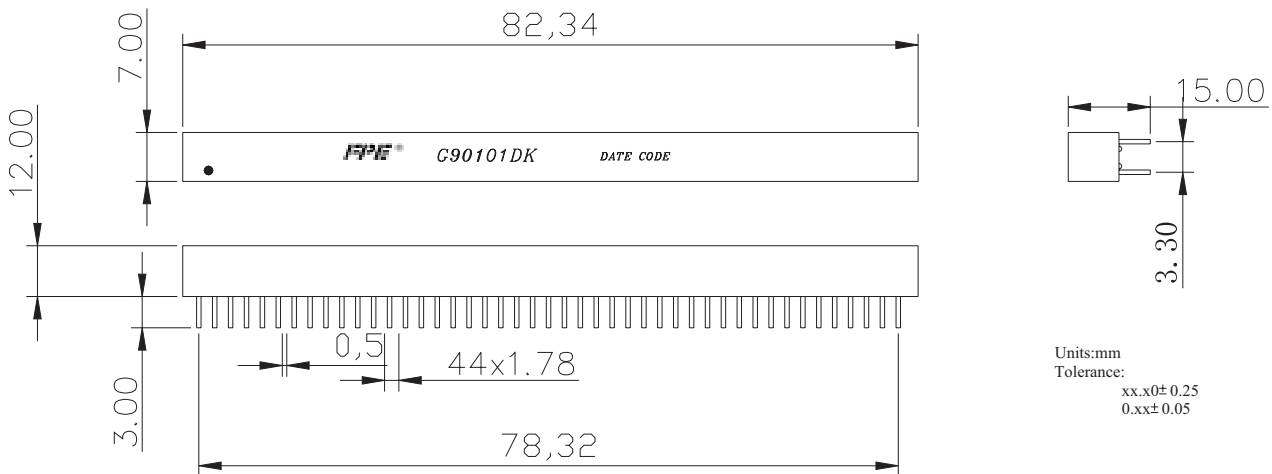
1000 Base-T Transformer Modules

MECHANICAL SPECIFICATIONS

**G72101DK,
G72101DK-R**



**G90101DK
G90101DK-R**



1. DIMENSIONS : INCHES/(mm) UNLESS OTHERWISE SPECIFIED ALL TOLERANCES ARE ±0.010(0.25).
DIMENSIONS IN BOLD ARE OF TOLERANCES ±0.005 (0.127)

For More Informations

TAIWAN
TEL: 00886-3-3310896
FAX: 00886-3-3310865

DONGGUAN
TEL: 086-769-86761589
FAX: 086-769-86761549