

## 10/100BASE-T SINGLE TRANSFORMER MODULES

- ◆ Compliant with IEEE802.3 and ANSI X3.263 standards  
Including 350uH OCL with 8mA Bias.
- ◆ Single Channel Interface For 10/100 Mbps Ethernet Applications
- ◆ Comply With ROHS



### ELECTRICAL SPECIFICATIONS@25°C (Operating Temperature :0°C to 70°C)

Part Number	Turns Ratio ±5%	Insertion Loss(dB max)	Return Loss (dB min)			CMRR (dB min)			Cross Talk (dB min)			Hipot (vrms)
		1-100MHz	1-30 MHz	30-60 MHz	30-60 MHz	1-30 MHz	30-60 MHz	60-100 MHz	1-30 MHz	30-60 MHz	60-100 MHz	
H16101MC	1:1	-1.0	-18	-14	-12	-40	-35	-30	-45	-35	-30	1500
LX16104SN*1	1:1	-1.0	-18	-14	-12	-40	-35	-30	-45	-35	-30	1500
LH16110SN*2	1:1	-1.0	-18	-14	-12	-40	-35	-30	-45	-35	-30	1500
LH16113SN	1:1	-1.0	-18	-14	-12	-40	-35	-30	-45	-35	-30	1500
LH16114SN*3	1:1	-1.0	-18	-14	-12	-40	-35	-30	-45	-35	-30	1500
LH16117SN	1:1	-1.0	-18	-14	-12	-40	-35	-30	-45	-35	-30	1500
LH16121SN	1:1	-1.0	-18	-14	-12	-40	-35	-30	-45	-35	-30	1500
LH16130SN	1:1	-1.0	-18	-14	-12	-40	-35	-30	-45	-35	-30	1500
LH16132SN	1:1	-1.0	-18	-14	-12	-40	-35	-30	-45	-35	-30	1500
LH16133SN	1:1	-1.0	-18	-14	-12	-40	-35	-30	-45	-35	-30	1500

Note:

\*1 IEEE802.3at compliant performance

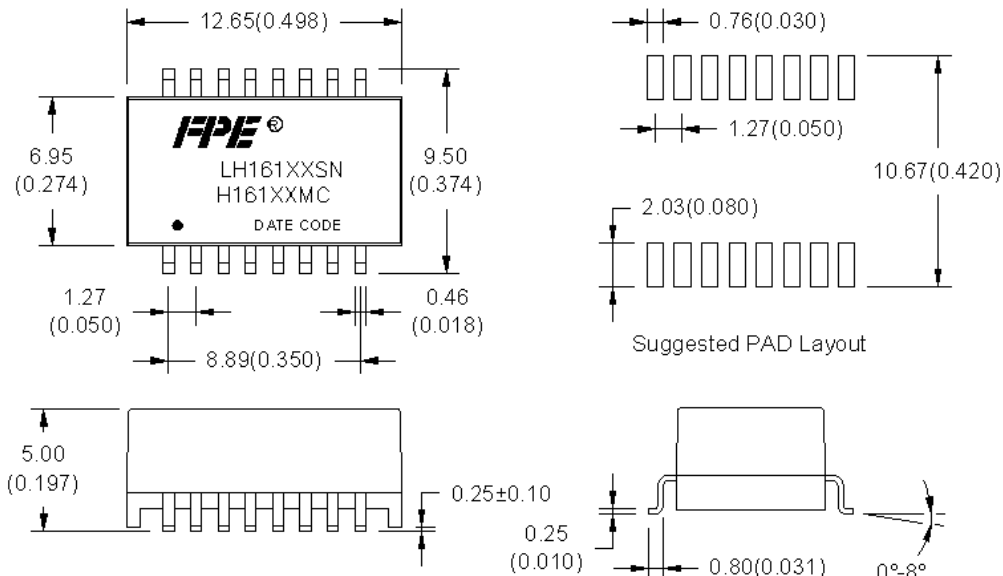
\*2 Operating temperature -40°C to +85°C

\*3 IEEE802.3af compliant performance

## 10/100BASE-T SINGLE TRANSFORMER MODULES

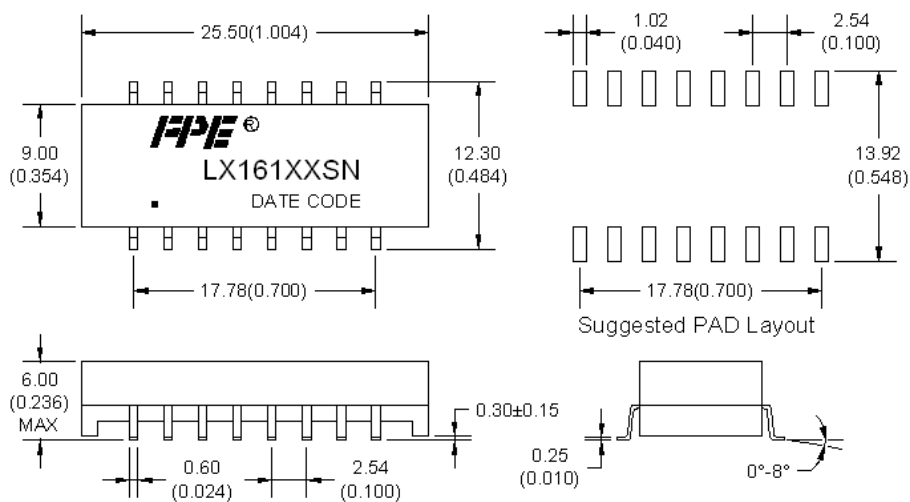
### MECHANICAL

**H16101MC , LH16110SN, LH16114SN, LH16117SN  
LH16121SN, LH16130SN, LH16132SN, LH16133SN**



Units:mm(Inches) Tolerance:xx.x0±0.25(0.010) Weight.....0.64g TYP  
0.xx±0.05(0.002) Reel.....600Pcs

**LX16104SN, LH16113SN**

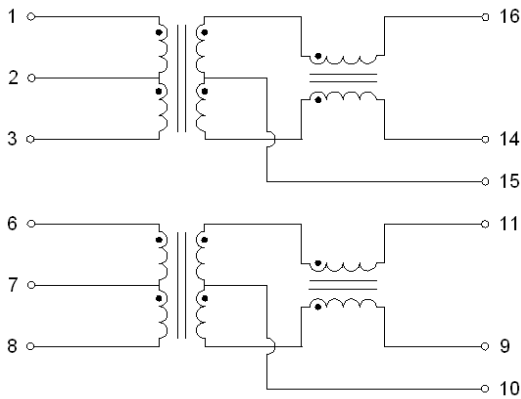


Units:mm(Inches) Tolerance:xx.x0±0.25(0.010)  
0.xx±0.05(0.002)

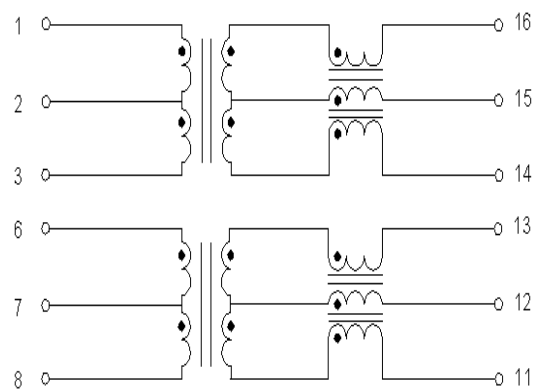
## 10/100BASE-T SINGLE TRANSFORMER MODULES

### SCHEMATICS

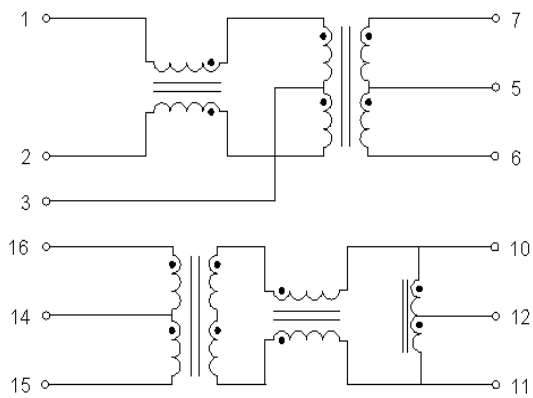
**H16101MC, LH16110SN**



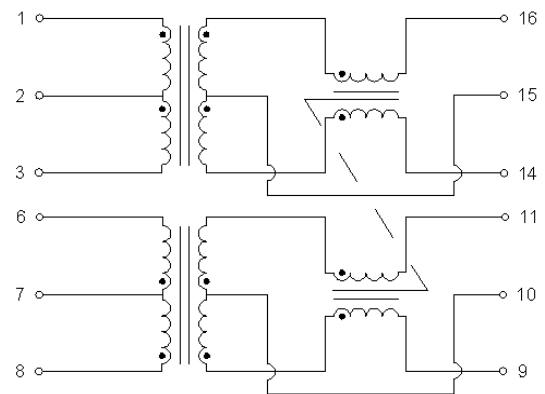
**LX16104SN**



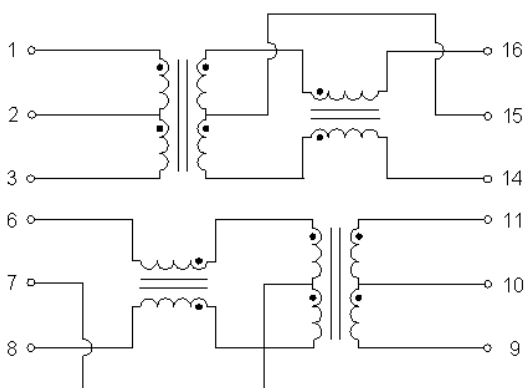
**LH16113SN, LH16132SN**



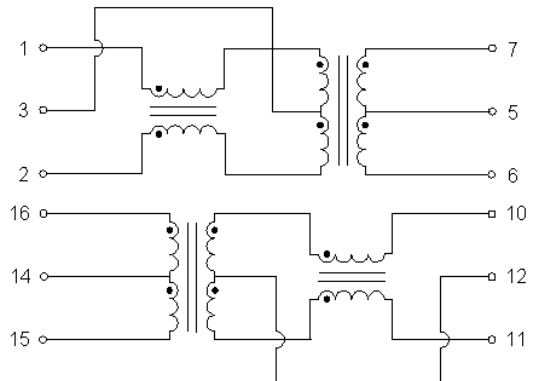
**LH16114SN**



**LH16117SN**



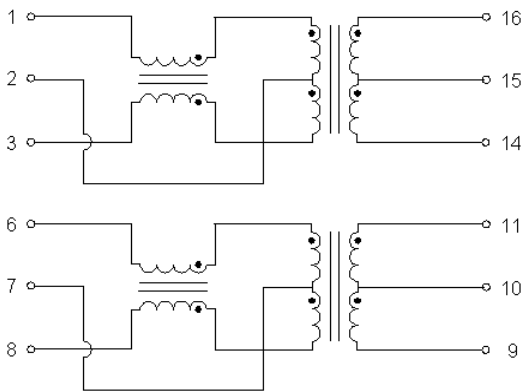
**LH16121SN**



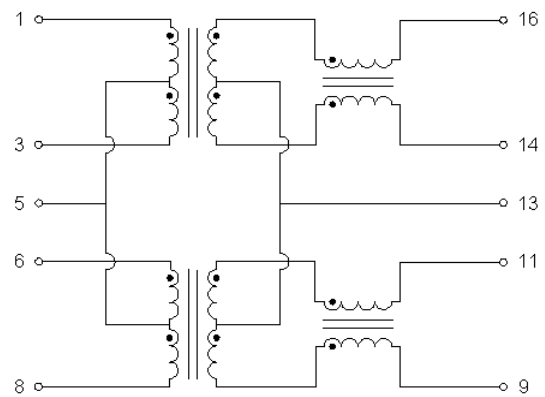
## 10/100BASE-T SINGLE TRANSFORMER MODULES

### SCHEMATICS (Continued)

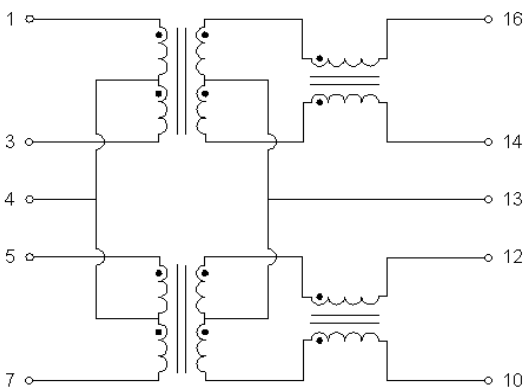
**LH16125SN**



**LH16126SN**



**LH16130SN**



**LH16133SN**

