



10/100 Base-T Transformer Modules

Quad Port Transformer Modules Designed For 10/100 Base-Tx MultiPort Hub Applications.

Compatible With Various 10/100 Tx Transceiver Requiring 1.25:1 Transmit and 1:1 Receive Turns Ratio.

Compliant With IEEE 802.3 and ANSI X3.236 Standard Including Baseline Wander Compensation Specification Of 350 μ H OCL When Biased at 8mA From 0°C to 70°C

Various Pinout Options Available For Optimal Printed Board (Single and Double Stacked RJ45) Layout

RoHS " -R" peak solder rating 260°C, non-RoHS peak solder rating 225°C For RoHS part, add suffix -R



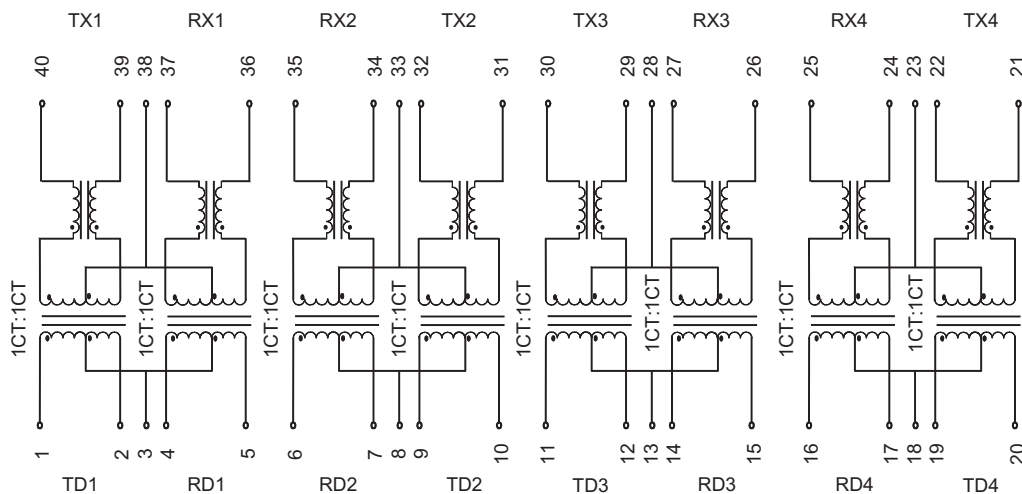
ELECTRICAL SPECIFICATIONS @ 25°C (Operating Temperature : 0°C to 70°C)

Part Number	Insertion Loss (dB max)		Return Loss (dB min)			CMRR (dB min)		Crosstalk (dB min)		
	0.3-80MHz	0.3-30MHz	40MHz	50MHz	60-100MHz	0.3-30MHz	60MHz	80-100MHz	0.3-60MHz	60-100MHz
H40501DK H40501DK-R	-1.1	-16	-14	-13.5	-10	-40	-35	-30	-40	-30
H40502DK H40502DK-R	-1.1	-16	-14	-13.5	-10	-40	-35	-30	-40	-30
H40503DK H40503DK-R	-1.1	-16	-14	-13.5	-10	-40	-35	-30	-40	-30
H40506DK H40506DK-R	-1.1	-16	-14	-13.5	-10	-40	-35	-30	-40	-30
H50601DK H50601DK-R	-1.1	-16	-14	-13.5	-10	-40	-35	-30	-40	-30

Note : All models meet Isolation Voltage (HiPot) of 1500Vrms

SCHEMATICS

H40501DK H40501DK-R



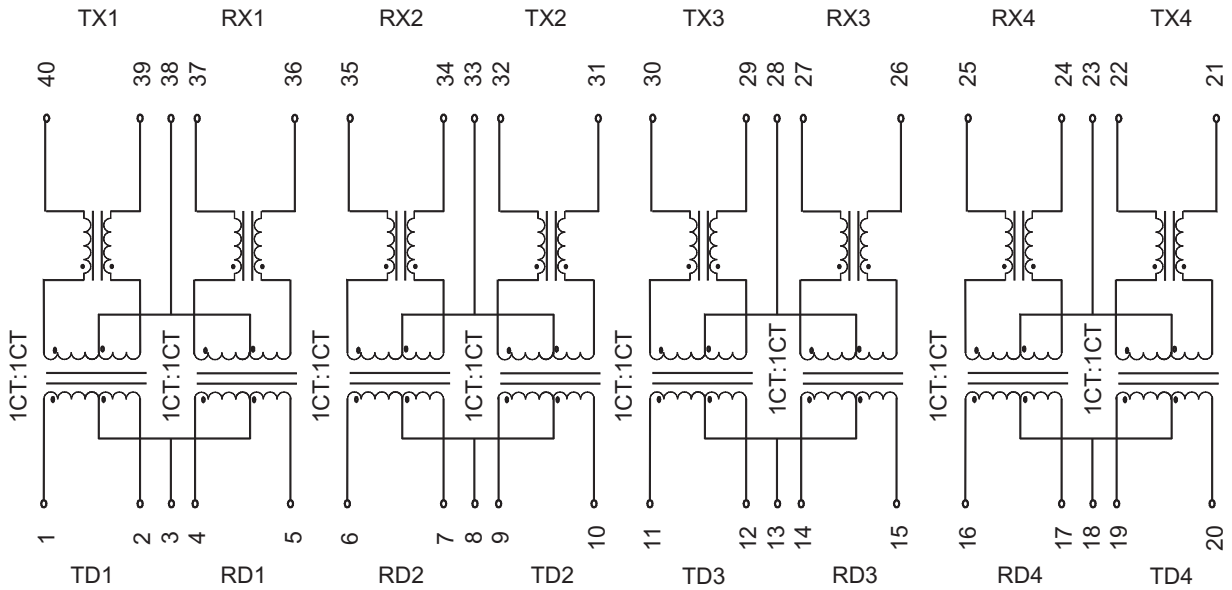
TAIWAN
TEL: 00886-3-3310896
FAX: 00886-3-3310865

DONGGUAN
TEL: 086-769-86761589
FAX: 086-769-86761549

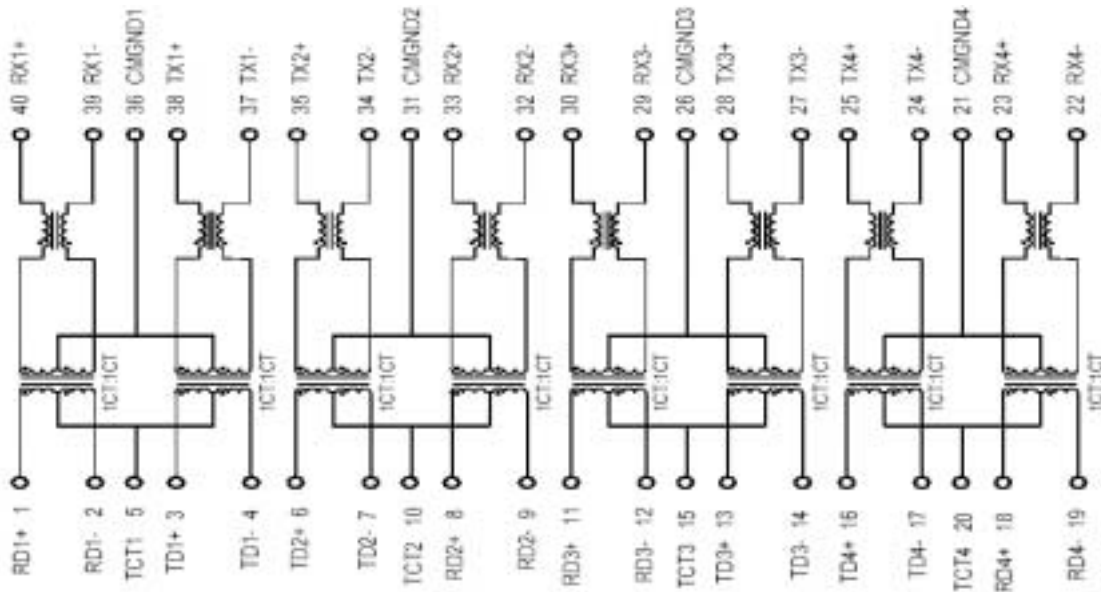
10/100 Base-T Transformer Modules

SCHEMATICS (Continued)

H40502DK
H40502DK-R



H40503DK
H40503DK-R

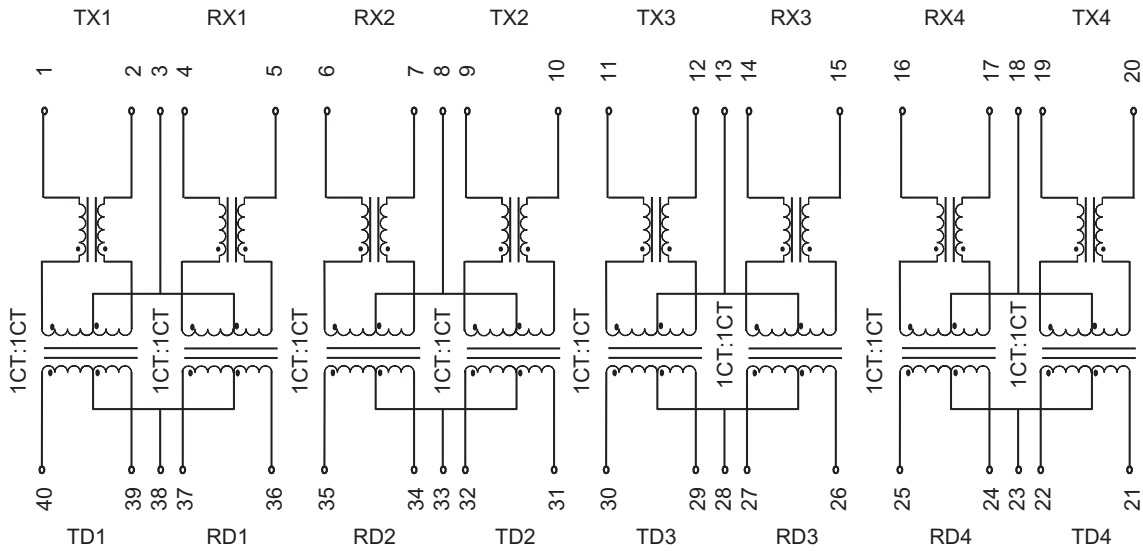




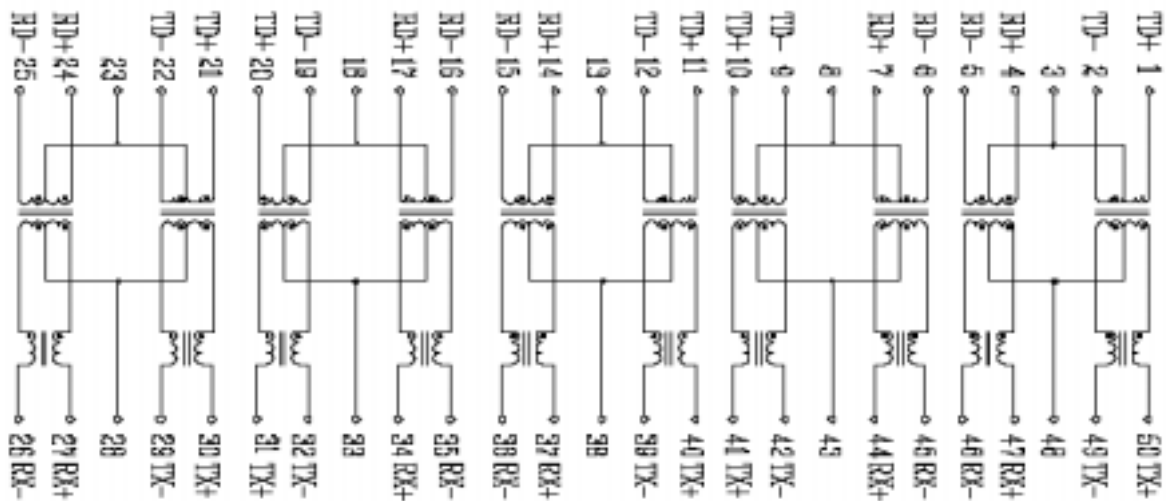
10/100 Base-T Transformer Modules

SCHEMATICS (Continued)

H40506DK
H40506DK-R



H50601DK
H50601DK-R



TAIWAN
TEL: 00886-3-3310896
FAX: 00886-3-3310865

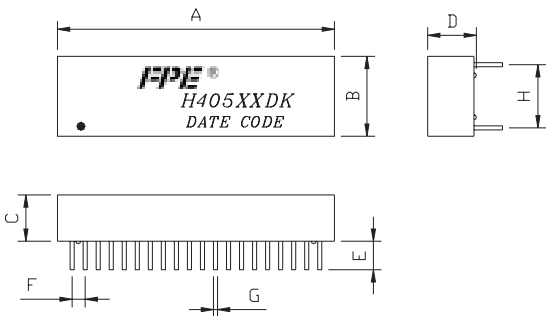
DONGGUAN
TEL: 086-769-86761589
FAX: 086-769-86761549



10/100 Base-T Transformer Modules

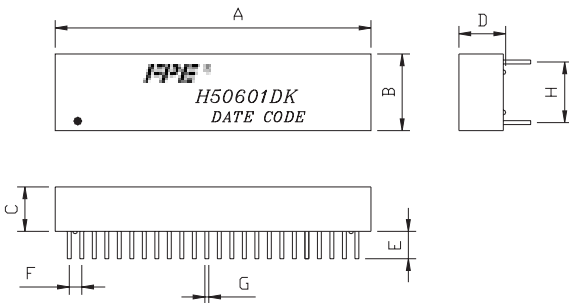
MECHANICAL SPECIFICATIONS

H40501DK H40502DK H40503DK H40506DK
H40501DK-R H40502DK-R H40503DK-R H40506DK-R



DIM	MILLIMETERS			INCHES		
	MIN	Spec	MAX	MIN	Spec	MAX
A	36.10	36.35	36.60	1.421	1.431	1.441
B	12.25	12.50	12.75	0.482	0.492	0.502
C	5.75	6.00	6.25	0.108	0.118	0.128
D	6.00	6.25	6.50	0.118	0.128	0.138
E	2.80	3.10	3.30	0.110	0.122	0.123
F	1.68	1.78	1.88	0.066	0.070	0.074
G	0.45	0.50	0.55	0.018	0.019	0.020
H	9.91	10.16	10.41	0.390	0.400	0.409

H50601DK
H50601DK-R



DIM	MILLIMETERS		INCHES	
	MIN	MAX	MIN	MAX
A	45.20	45.70	1.780	1.800
B	12.40	12.90	0.488	0.508
C	5.80	6.30	0.230	0.250
D	5.85	6.35	0.230	0.250
E	3.75	4.25	0.148	0.168
F	1.78 TYP		0.070 TYP	
G	0.50	0.60	0.020	0.024
H	10.16	0.40	H	10.16



1. DIMENSIONS : INCHES/(mm) UNLESS OTHERWISE SPECIFIED ALL TOLERANCES ARE ± 0.010(0.25).

TAIWAN
 TEL: 00886-3-3310896
 FAX: 00886-3-3310865

DONGGUAN
 TEL: 086-769-86761589
 FAX: 086-769-86761549