

BALUN TRANSFORMER

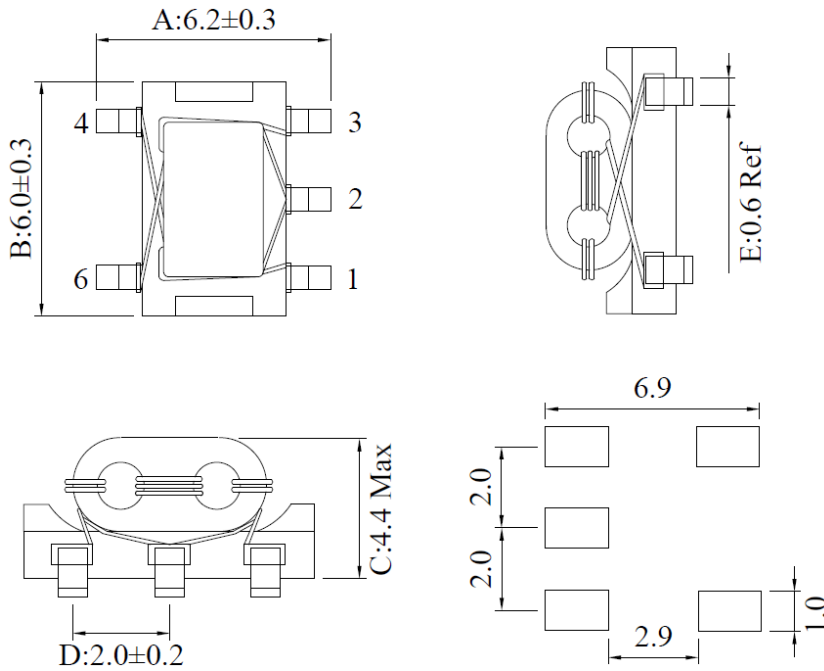
- ◆ Excellent EMI performance
- ◆ Suitable for reflow soldering
- ◆ High rated currents, reduced components height
- ◆ Comply with ROHS



ELECTRICAL SPECIFICATIONS@25°C (Operating Temperature : -40°C to +85°C)

Part Number	Turns Ratio @20KHz,1V	INSERTION LOSS PIN(6-4)=PIN(1-3)			
		5MHZ	10MHZ	65MHZ	100MHZ
TM11005ST	1:1±2%	1.5dB MAX	1.5dB MAX	1.5dB MAX	2.0dB MAX

MECHANICAL(Unit:mm)



PCB LAYOUT

SCHEMATICS

