



10Base-T Transformer Interface Module

Quad Port Transformer Modules Designed
For Filter On Chip 10 Base-T MultiPort
Applications.

Various Pinout Options Available For Optimal
Printed Board Layout

RoHS " -R " peak solder rating 260°C, non-RoHS peak solder rating 225°C
For RoHS part, add suffix -R



ELECTRICAL SPECIFICATIONS @ 25°C

Part Number	Turns Ratio +/- 5 %		OCL (Pri) (μ H min)		Interwinding Capacitance Cw/w (pF max)	Leakage Inductance L/L (μ H min)	DCR (Ω max)	HiPot (Vrms min)
	Tx	Rx	Tx	Rx				
T40501MN	1CT: $\sqrt{2}$ CT	1 : 1	150	150	13	0.4	0.6	1500
T40501MN-R	1CT: $\sqrt{2}$ CT	1 : 1	150	150	13	0.4	0.6	1500
T40502MN	1CT: $\sqrt{2}$ CT	1 : 1	150	150	13	0.4	0.6	1500
T40502MN-R	1CT: $\sqrt{2}$ CT	1 : 1	150	150	13	0.4	0.6	1500
T40503MN	1CT: $\sqrt{2}$ CT	1 : 1	150	150	13	0.4	0.6	1500
T40503MN-R	1CT: $\sqrt{2}$ CT	1 : 1	150	150	13	0.4	0.6	1500
T40504MN	1CT: $\sqrt{2}$ CT	1 : 1	150	150	13	0.4	0.6	1500
T40504MN-R	1CT: $\sqrt{2}$ CT	1 : 1	150	150	13	0.4	0.6	1500
T40505MN	1CT: $\sqrt{2}$ CT	1 : 1	150	150	13	0.4	0.6	1500
T40505MN-R	1CT: $\sqrt{2}$ CT	1 : 1	150	150	13	0.4	0.6	1500
T40506MN	1CT:1CT	1 : 1	150	150	12	0.3	0.5	1500
T40506MN-R	1CT:1CT	1 : 1	150	150	12	0.3	0.5	1500
T40507MN	1CT:1CT	1 : 1	150	150	12	0.3	0.5	1500
T40507MN-R	1CT:1CT	1 : 1	150	150	12	0.3	0.5	1500
T40508MN	1CT:1CT	1 : 1	150	150	12	0.3	0.5	1500
T40508MN-R	1CT:1CT	1 : 1	150	150	12	0.3	0.5	1500
T40509MN	1CT:1CT	1 : 1	100	100	12	0.3	0.5	1500
T40509MN-R	1CT:1CT	1 : 1	100	100	12	0.3	0.5	1500
T40510MN	1CT:1CT	1 : 1	100	100	12	0.3	0.5	1500
T40510MN-R	1CT:1CT	1 : 1	100	100	12	0.3	0.5	1500
T40511MN	1CT:1CT	1 : 1	100	100	12	0.3	0.5	1500
T40511MN-R	1CT:1CT	1 : 1	100	100	12	0.3	0.5	1500
T40512MN	1CT:1CT	1 : 1	150	150	12	0.3	0.5	1500
T40512MN-R	1CT:1CT	1 : 1	150	150	12	0.3	0.5	1500
T40513MN	1CT:1CT	1 : 1	150	150	12	0.3	0.5	1500
T40513MN-R	1CT:1CT	1 : 1	150	150	12	0.3	0.5	1500
T40514MN	1CT:1CT	1 : 1	150	150	12	0.3	0.5	1500
T40514MN-R	1CT:1CT	1 : 1	150	150	12	0.3	0.5	1500
T40515MN	1CT:2CT	1 : 1	50	200	15	0.5	0.9	1500
T40515MN-R	1CT:2CT	1 : 1	50	200	15	0.5	0.9	1500
T40516MN	1CT:2CT	1 : 1	50	200	15	0.5	0.9	1500
T40516MN-R	1CT:2CT	1 : 1	50	200	15	0.5	0.9	1500
T40517MN	1CT:2CT	1 : 1	50	200	15	0.5	0.9	1500
T40517MN-R	1CT:2CT	1 : 1	50	200	15	0.5	0.9	1500
T40518MN	1CT:2CT	1 : 1	50	200	15	0.5	0.9	1500
T40518MN-R	1CT:2CT	1 : 1	50	200	15	0.5	0.9	1500
T40519MN	1CT:2CT	1 : 1	50	200	15	0.5	0.9	1500
T40519MN-R	1CT:2CT	1 : 1	50	200	15	0.5	0.9	1500
T40520MN	1CT:2CT	1 : 1	50	200	15	0.5	0.9	1500
T40520MN-R	1CT:2CT	1 : 1	50	200	15	0.5	0.9	1500
T40521MN	2CT:1CT	1 : 1	400	100	15	0.6	0.9	1500
T40521MN-R	2CT:1CT	1 : 1	400	100	15	0.6	0.9	1500

Notes :

Operating Temperature : 0°C to 70°C
OCL , Cw/w and L/L are measured at 20mV, 100kHz

Specifications Subject To Change Without Notice

TAIWAN
TEL: 00886-3-3310896
FAX: 00886-3-3310865

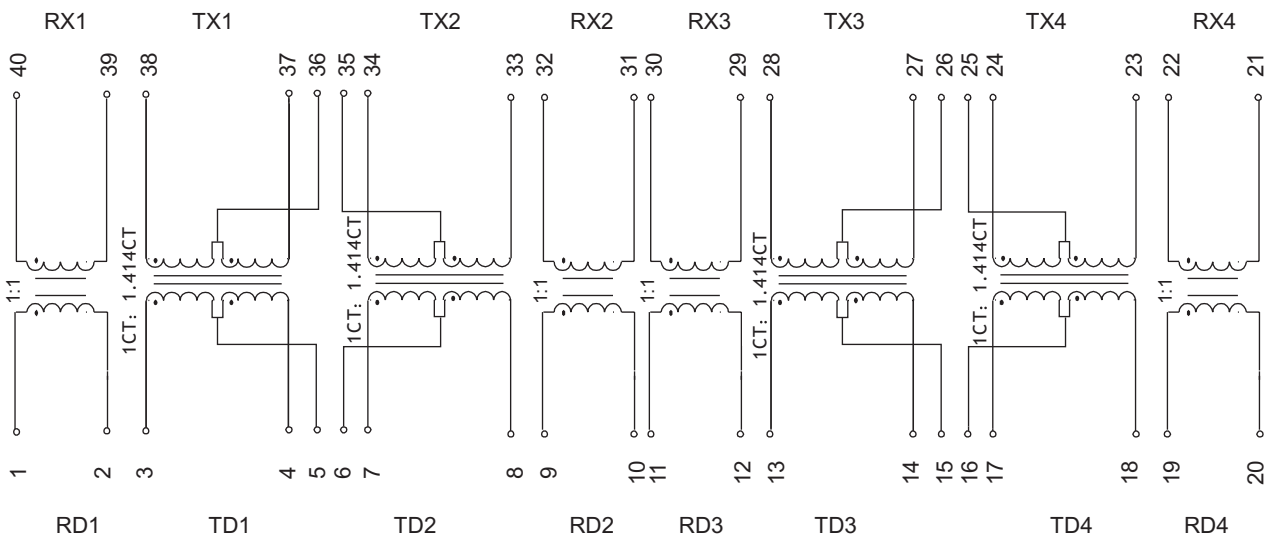
DONGGUAN
TEL: 086-769-86761589
FAX: 086-769-86761549



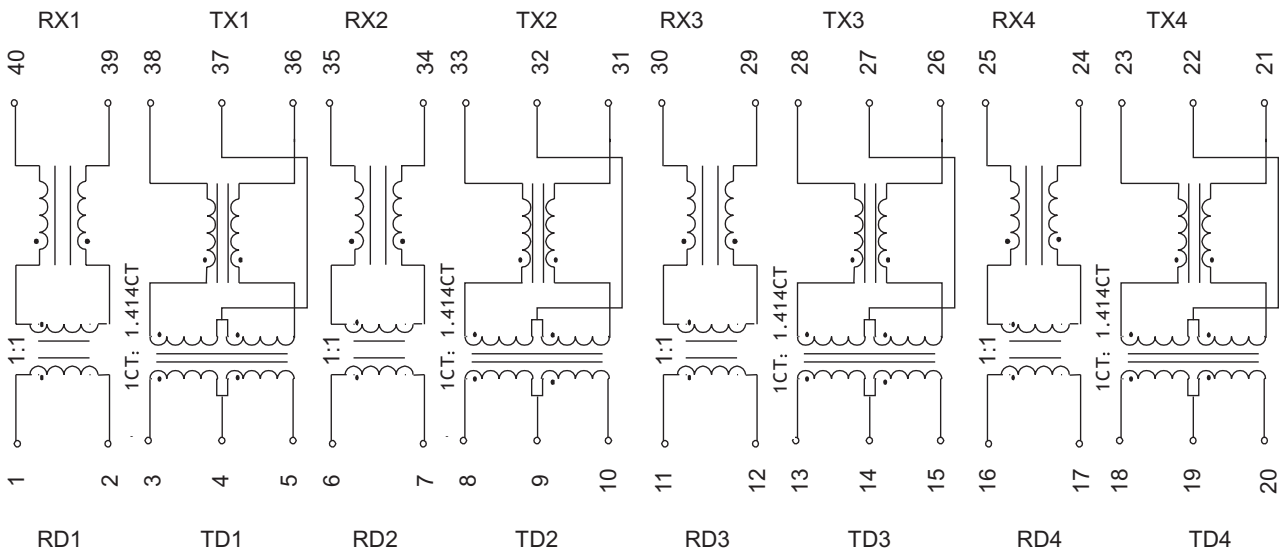
10Base-T Transformer Interface Module

SCHEMATICS

T40501MN , T40501MN -R



T40502MN, T40502MN-R



Specifications Subject To Change Without Notice

TAIWAN
TEL: 00886-3-3310896
FAX: 00886-3-3310865

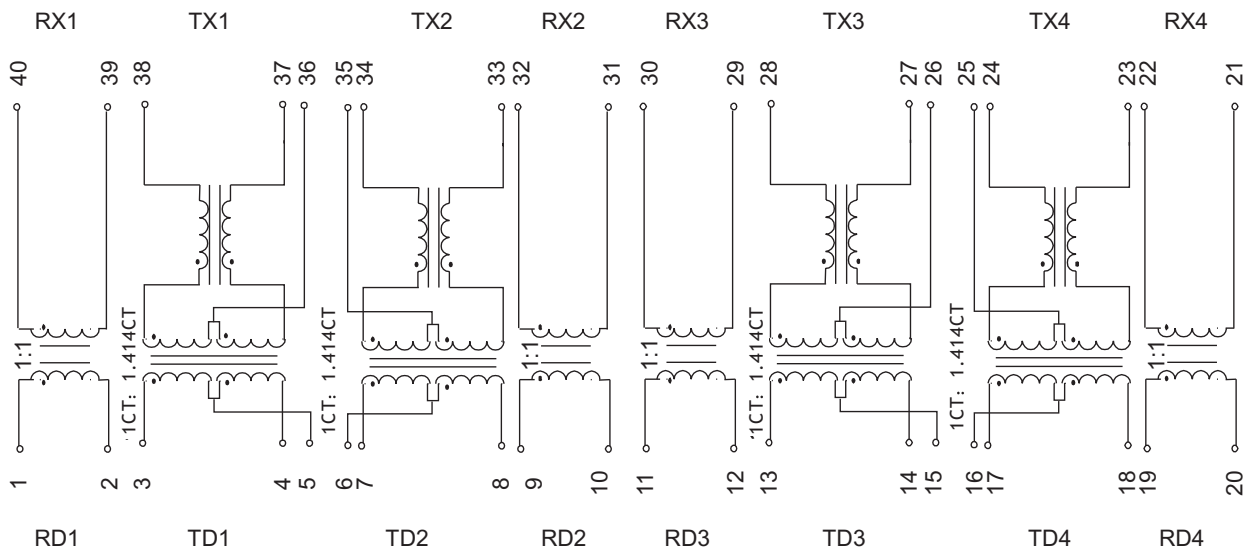
DONGGUAN
TEL: 086-769-86761589
FAX: 086-769-86761549



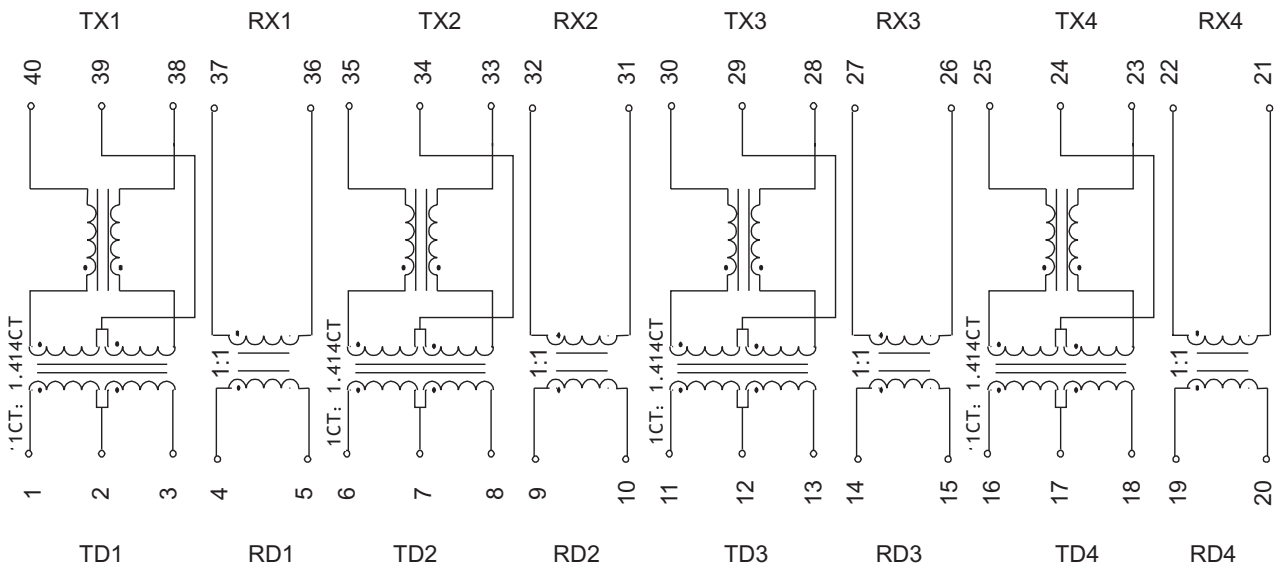
10Base-T Transformer Interface Module

SCHEMATICS (Continued)

T40503MN, T40503MN-R



T40504MN, T40504MN-R



Specifications Subject To Change Without Notice

TAIWAN
 TEL: 00886-3-3310896
 FAX: 00886-3-3310865

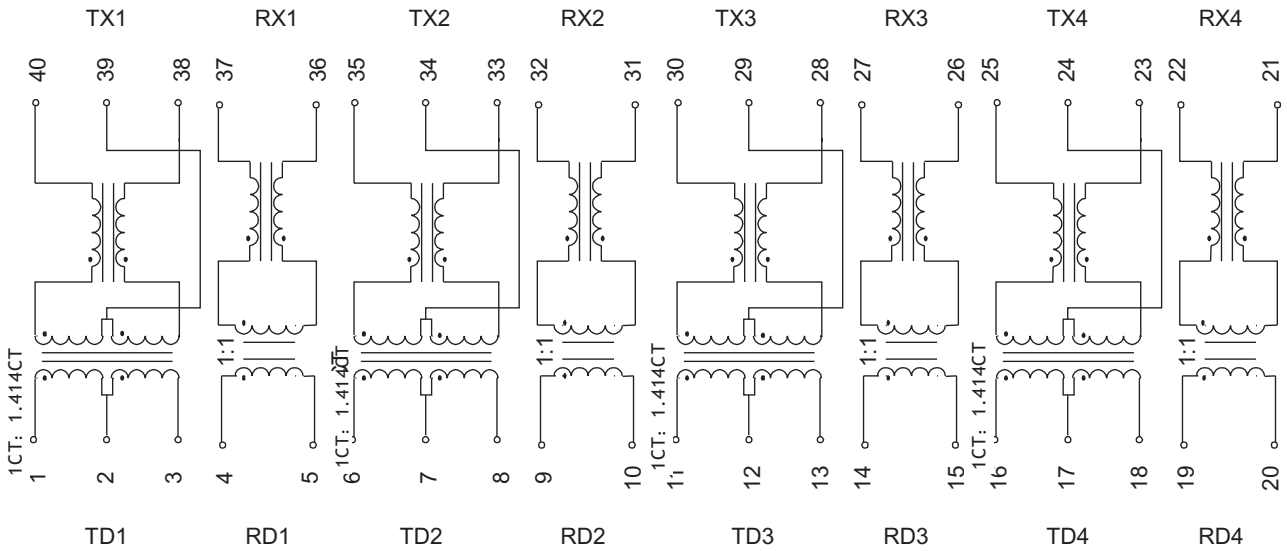
DONGGUAN
 TEL: 086-769-86761589
 FAX: 086-769-86761549



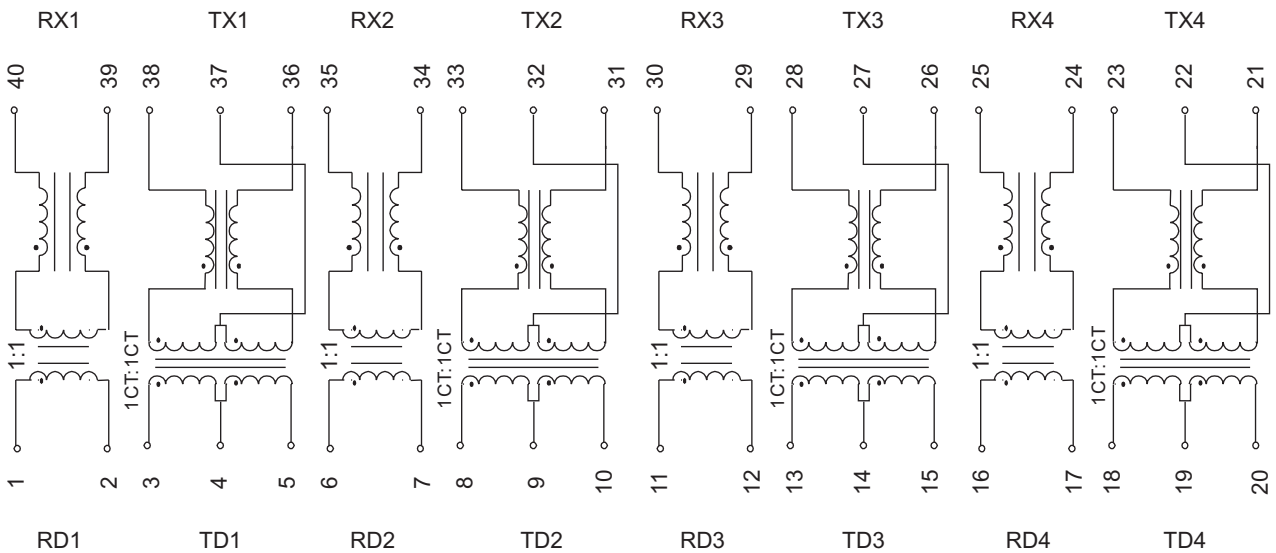
10Base-T Transformer Interface Module

SCHEMATICS (Continued)

T40505MN, T40505MN-R



T40506MN, T40506MN-R



Specifications Subject To Change Without Notice

TAIWAN
 TEL: 00886-3-3310896
 FAX: 00886-3-3310865

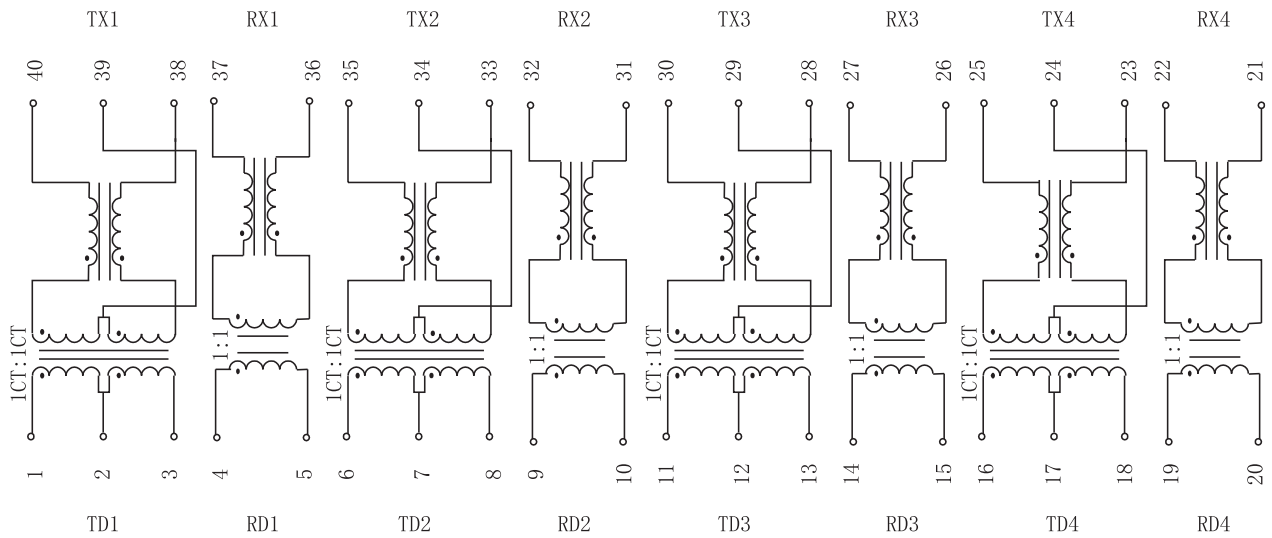
DONGGUAN
 TEL: 086-769-86761589
 FAX: 086-769-86761549



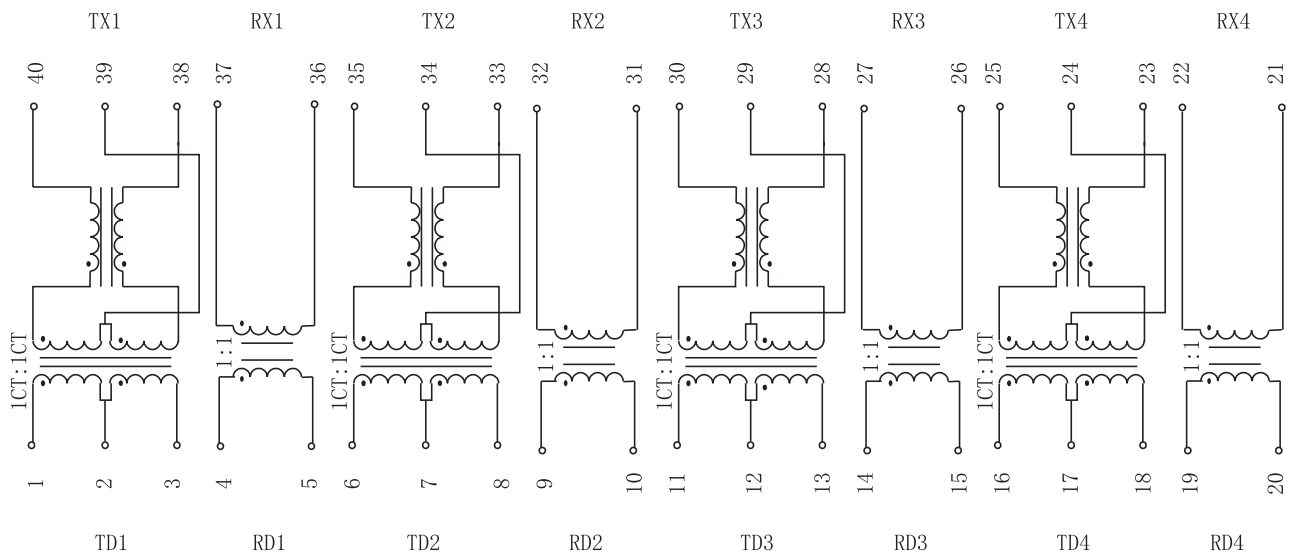
10Base-T Transformer Interface Module

SCHEMATICS (Continued)

T40509MN ,T40509MN-R



T40510MN, T40510MN-R



Specifications Subject To Change Without Notice

TAIWAN
 TEL: 00886-3-3310896
 FAX: 00886-3-3310865

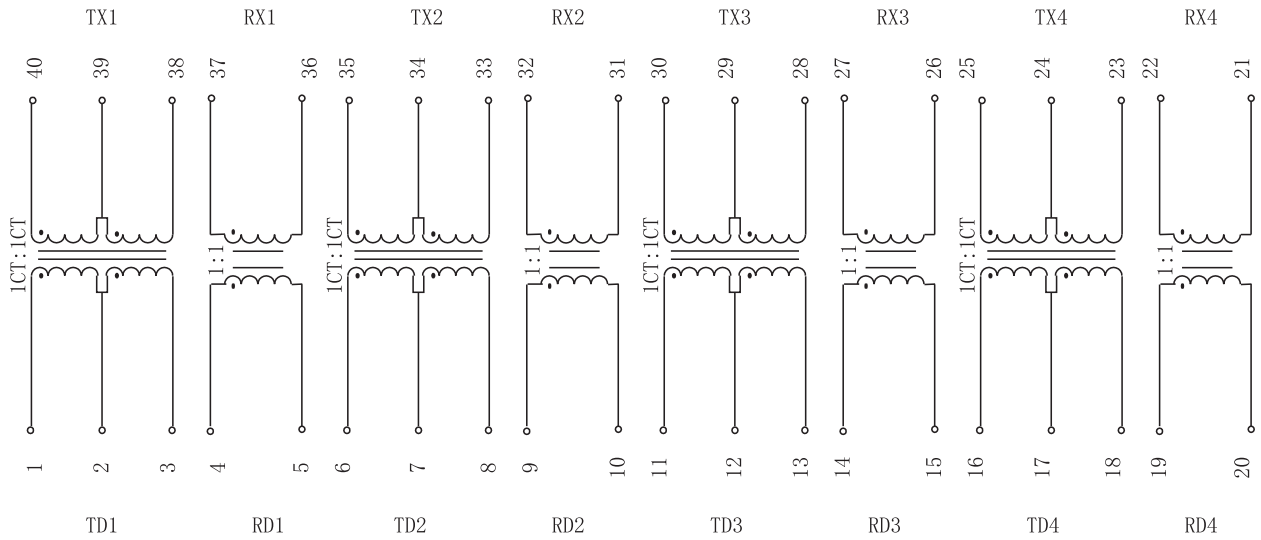
DONGGUAN
 TEL: 086-769-86761589
 FAX: 086-769-86761549



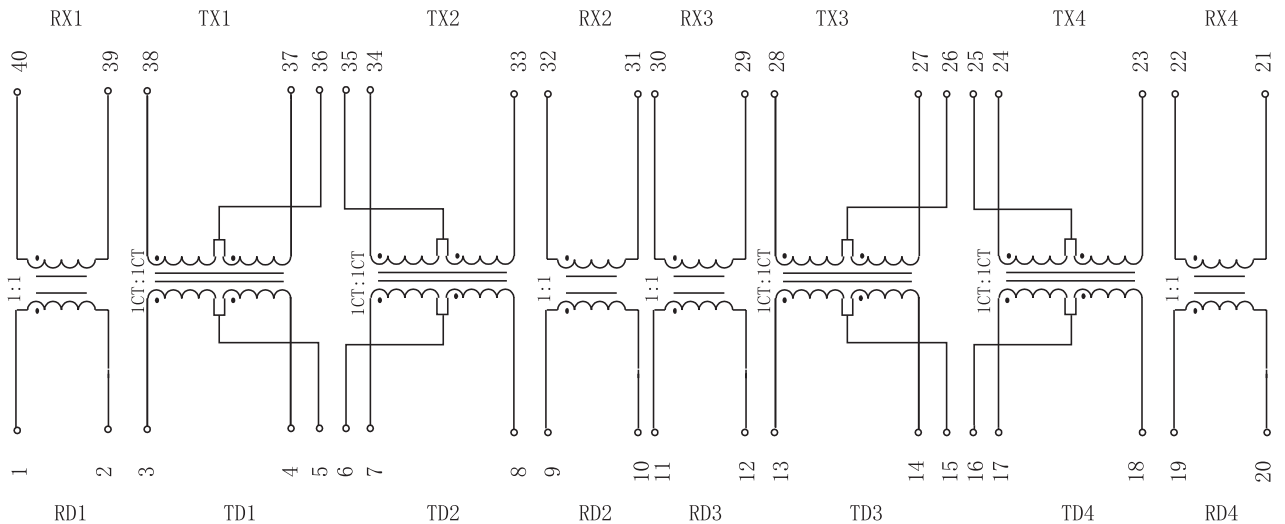
10Base-T Transformer Interface Module

SCHEMATICS (Continued)

T40511MN, T40511MN-R



T40512MN, T40512MN-R



Specifications Subject To Change Without Notice

TAIWAN
TEL: 00886-3-3310896
FAX: 00886-3-3310865

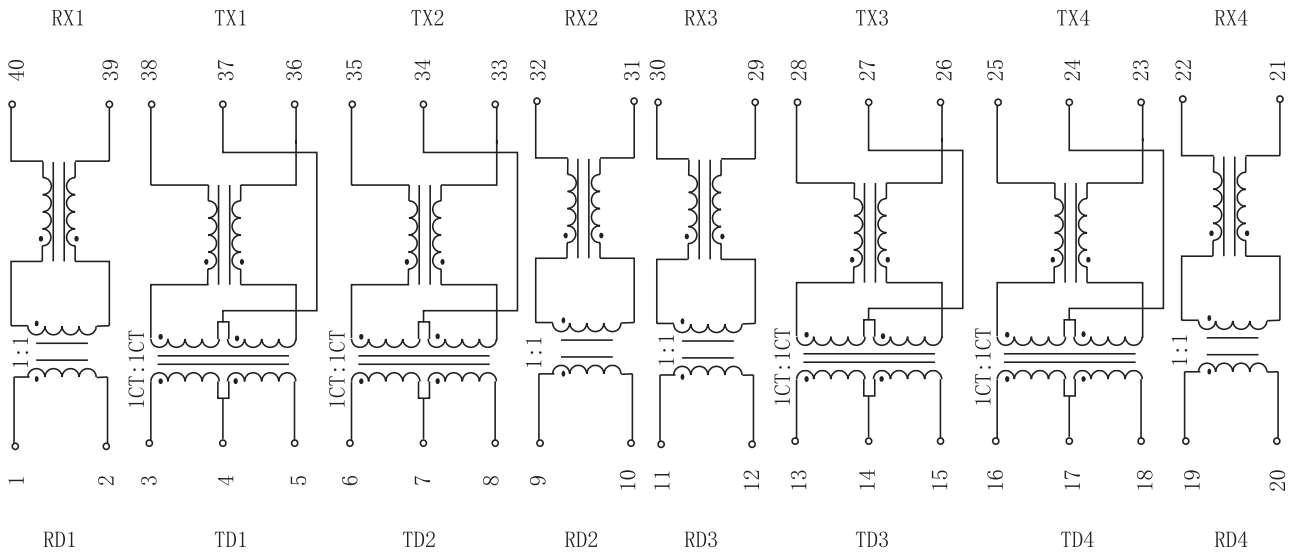
DONGGUAN
TEL: 086-769-86761589
FAX: 086-769-86761549



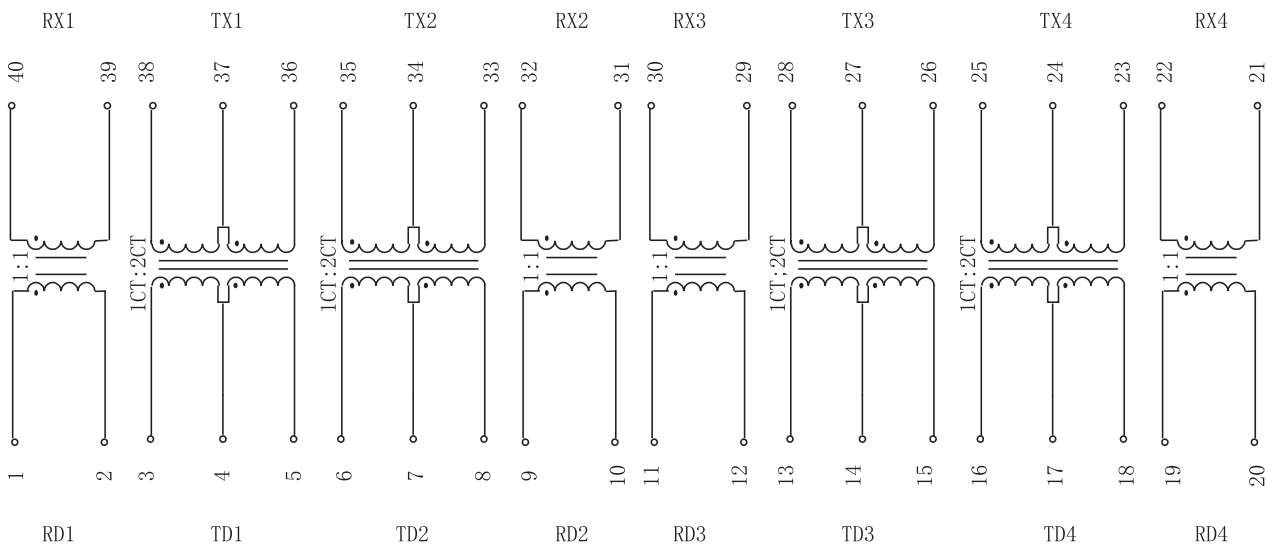
10Base-T Transformer Interface Module

SCHEMATICS (Continued)

T40513MN, T40513MN-R



T, T40514M, N40514MN-R



Specifications Subject To Change Without Notice

TAIWAN
 TEL: 00886-3-3310896
 FAX: 00886-3-3310865

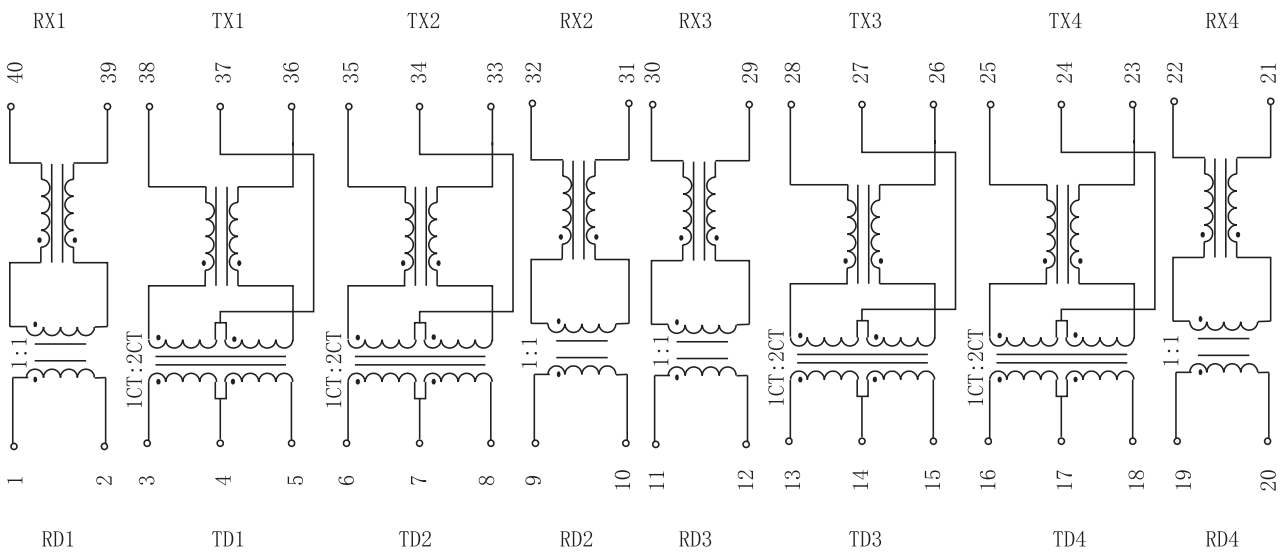
DONGGUAN
 TEL: 086-769-86761589
 FAX: 086-769-86761549



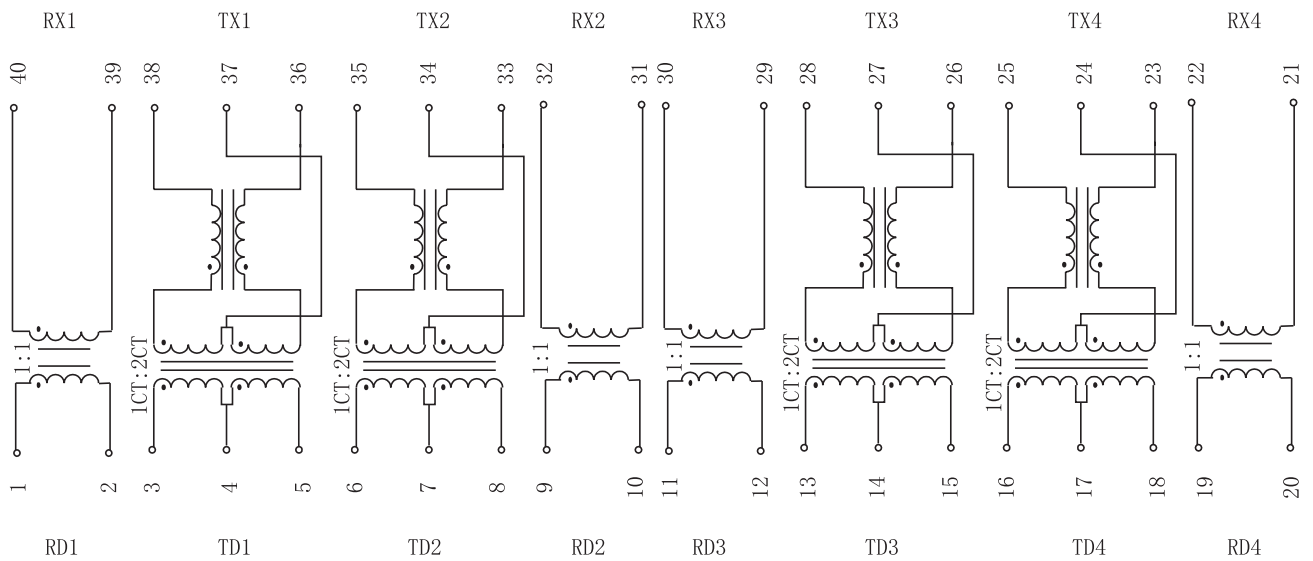
10Base-T Transformer Interface Module

SCHEMATICS (Continued)

T40515MN , T40515MN-R



T40516MN, T40516MN-R



Specifications Subject To Change Without Notice

TAIWAN
 TEL: 00886-3-3310896
 FAX: 00886-3-3310865

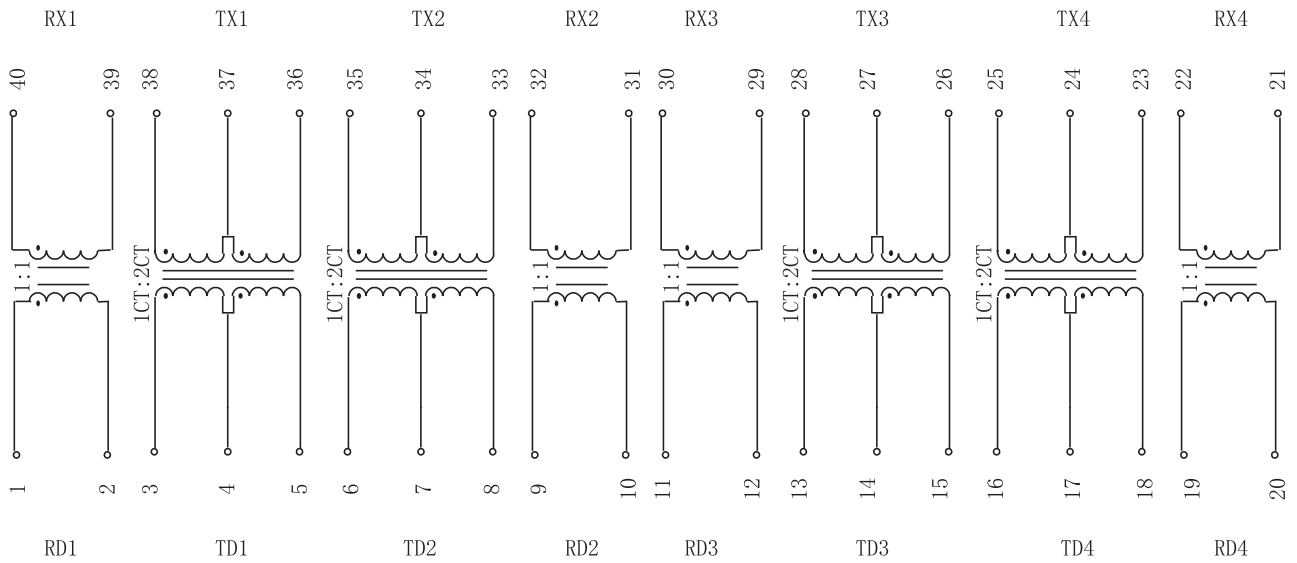
DONGGUAN
 TEL: 086-769-86761589
 FAX: 086-769-86761549



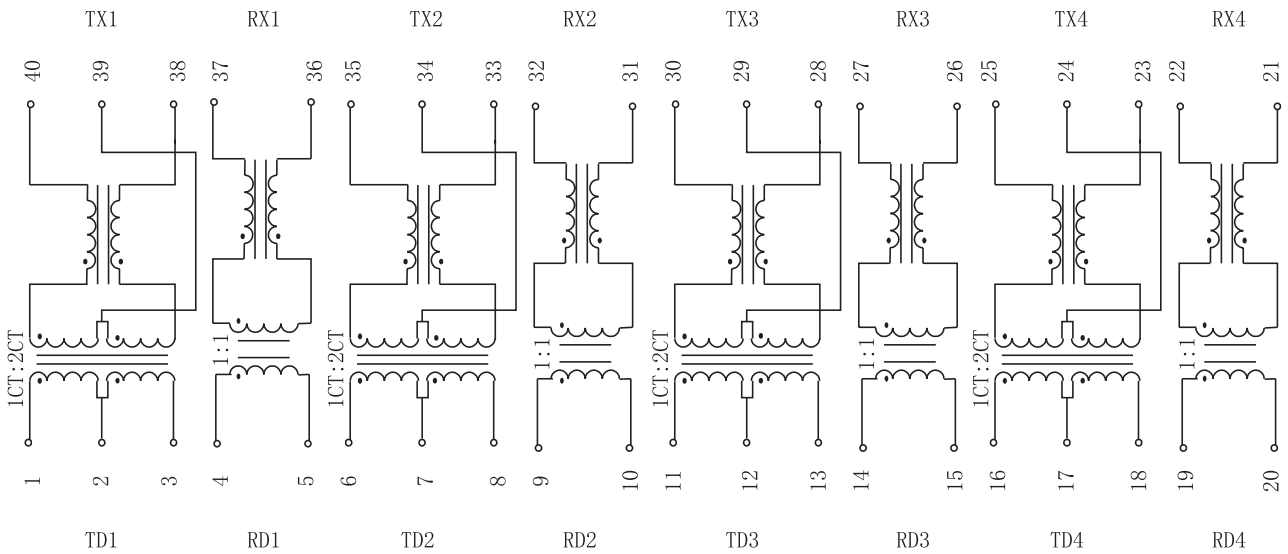
10Base-T Transformer Interface Module

SCHEMATICS (Continued)

T40517MN, T40517MN-R



T40518MN, T40518MN-R



Specifications Subject To Change Without Notice

TAIWAN
 TEL: 00886-3-3310896
 FAX: 00886-3-3310865

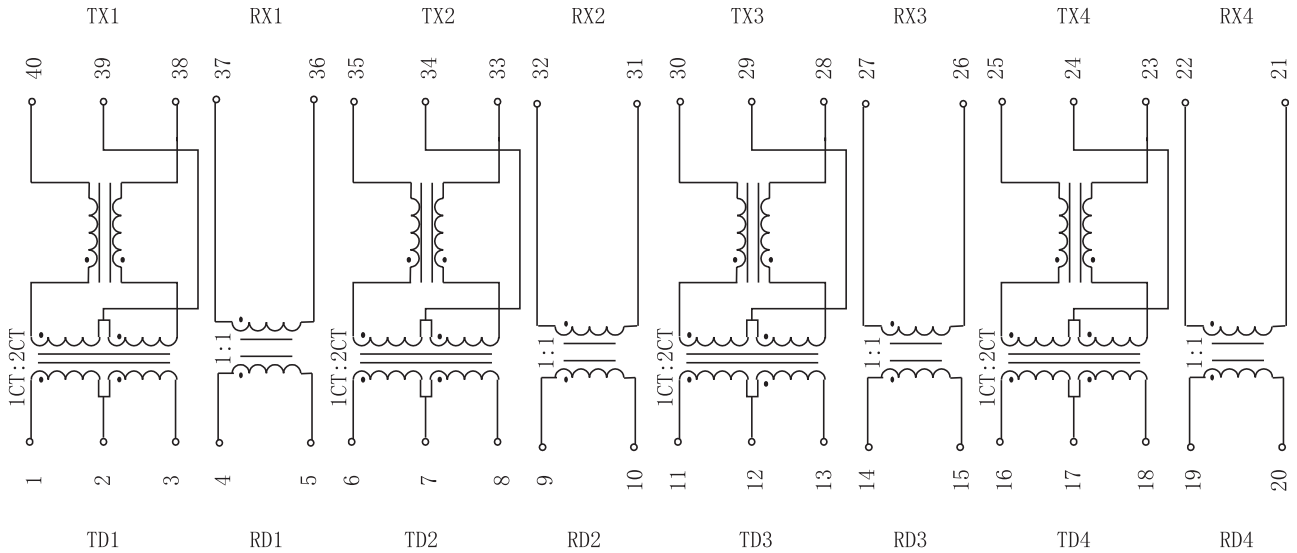
DONGGUAN
 TEL: 086-769-86761589
 FAX: 086-769-86761549



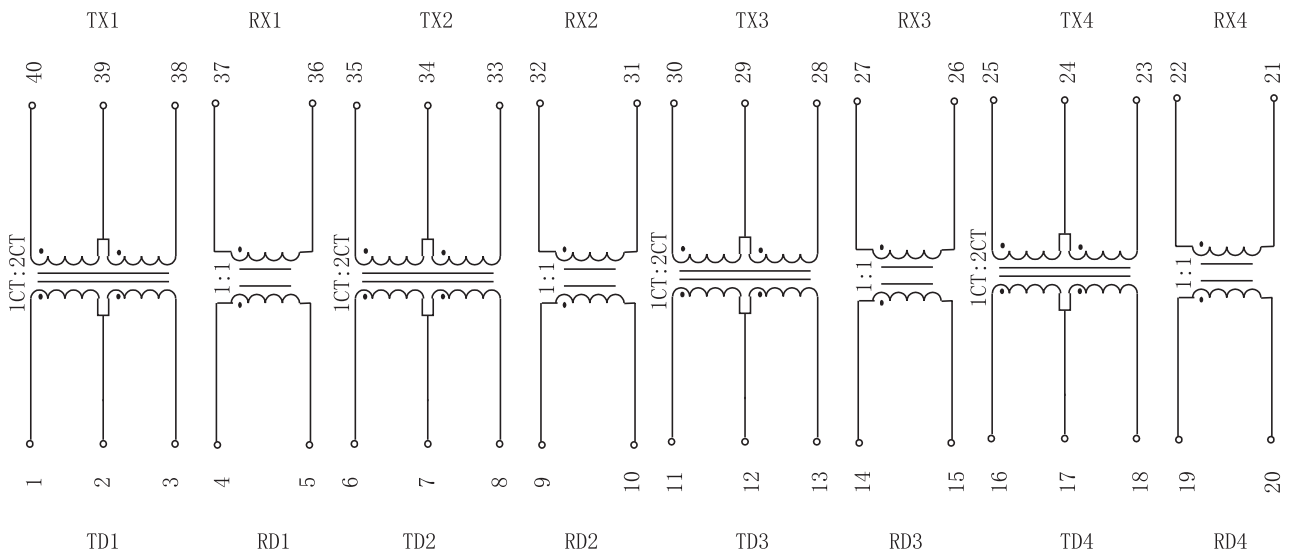
10Base-T Transformer Interface Module

SCHEMATICS (Continued)

T40519MN, T40519MN-R



T40520MN, T40520MN-R



Specifications Subject To Change Without Notice

TAIWAN
TEL: 00886-3-3310896
FAX: 00886-3-3310865

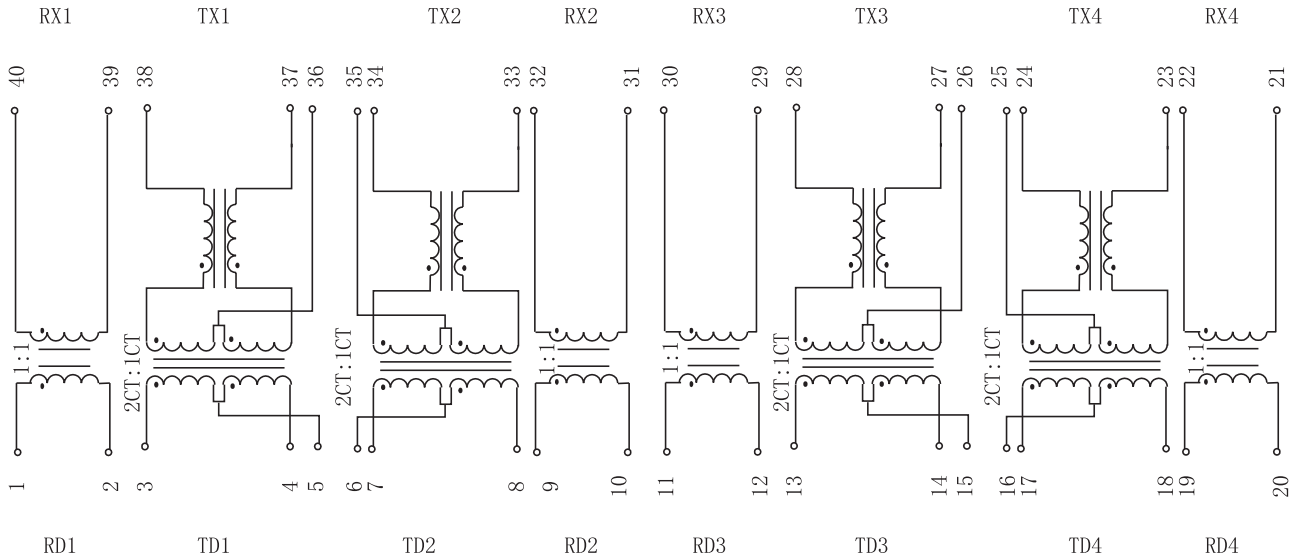
DONGGUAN
TEL: 086-769-86761589
FAX: 086-769-86761549



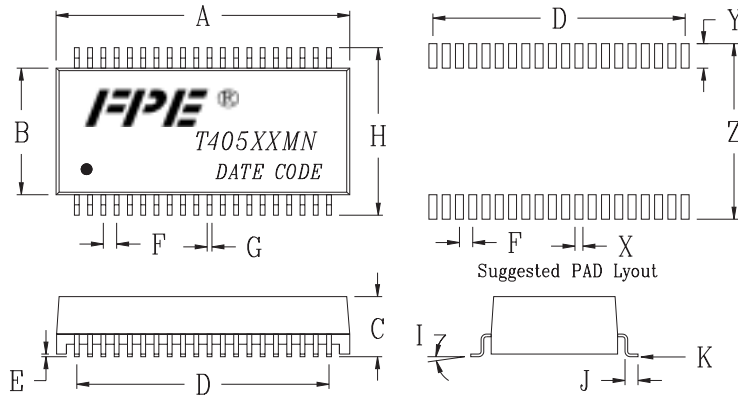
10Base-T Transformer Interface Module

SCHEMATICS (Continued)

T40521MN, T40521MN-R



MECHANICAL SPECIFICATIONS



DIM	MILLIMETERS		INCHES	
	MIN	MAX	MIN	MAX
A	27.75	28.25	1.093	1.112
B	11.75	12.25	0.463	0.482
C	5.50	6.00	0.217	0.236
D	24.08	24.18	0.948	0.952
E	0.10	0.40	0.004	0.016
F	1.22	1.32	0.048	0.052
G	0.41	0.51	0.016	0.020

DIM	MILLIMETERS		INCHES	
	MIN	MAX	MIN	MAX
H	15.85	16.35	0.624	0.644
I	0□	8□	0□	8□
J	1.15	1.25	0.039	0.049
X	0.71	0.81	0.028	0.032
Y	2.09	2.59	0.082	0.102
Z	16.51	17.01	0.650	0.670
K	0.10 TYP		0.004 TYP	

Specifications Subject To Change Without Notice

TAIWAN
 TEL: 00886-3-3310896
 FAX: 00886-3-3310865

DONGGUAN
 TEL: 086-769-86761589
 FAX: 086-769-86761549