



10Base-T Transformer Interface Module

Compliant to IEEE802.3 10 Base-T Requirements.

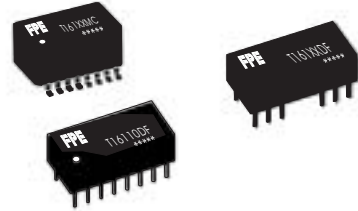
Available With Common Mode Chokes for Better EMI Suppression.

High Isolation Voltage To Comply with IEEE802.3 Safety Requirements For LAN's Applications.

Available In Through Hole and Surface Mount Packages.

RoHS `R` peak solder rating 260,
non-RoHS peak solder rating 225

For RoHS part, add suffix `R`



ELECTRICAL SPECIFICATIONS @ 25°C (Operating Temperature : 0°C to 70°C)

Part Number	Turns Ratio +/-5%	Primary Pins	Open CCT	Interwinding	Leakage	DCR (Ω max)	Schematic /Package
			Inductance OCL(μ H min)	Capacitance Cw/w (pF max)	Inductance L/L (μ H min)		
T16109DF T16109DF-R	1:1/1:1/1:1/1:1	1-2/3-4/5-6/7-8	100	10	0.3	0.3	IN1/TH1
T16110DF T16110DF-R	1:1/1:1/1:1/1:1	1-2/3-4/5-6/7-8	150	12	0.3	0.3	IN1/TH1
T16111DF T16111DF-R	1:1.414/1:1.414/1:1.414/1:1.414	1-2/3-4/5-6/7-8	150	12	0.4	0.4	IN1/TH1
T16112DF T16112DF-R	1CT : 1CT / 1CT :1CT	1-3 / 6-8	200	12	0.4	0.4	IN2/TH2
T16113DF T16113DF-R	1CT : 1CT / 1CT : 2CT	1-3 / 6-8	200	14	0.5	0.6	IN2/TH2
T16114DF T16114DF-R	2CT : 1CT / 1CT : 1CT	1-3 / 6-8	200	14	0.5	0.6	IN2/TH2
T16116DF T16116DF-R	1CT : 1CT / 1CT :1CT	1-3 / 6-8	140	12	0.3	0.4	IN3/TH2
T16117DF T16117DF-R	1CT:1CT / 1CT:1.414CT	1-3 / 6-8	200	13	0.4	0.5	IN3/TH2
T16118DF T16118DF-R	1CT:1CT / 1CT:1.414CT	1-3 / 6-8	200	12	0.4	0.5	IN4/TH1
T16119DF T16119DF-R	1CT : 1CT / 1CT : 2CT	1-3 / 6-8	200	14	0.5	0.6	IN3/TH2
T16120DF T16120DF-R	1CT : 2CT / 1CT : 1CT	1-3 / 6-8	200	14	0.5	0.6	IN3/TH2
T16121DF T16121DF-R	2CT : 1CT / 1CT : 1CT	1-3 / 6-8	140	12	0.1&0.3	0.3	IN3/TH2
T16105MC T16105MC-R	1:1/1:1/1:1/1:1	1-2/3-4/5-6/7-8	100	10	0.3	0.3	IN1/SMT
T16106MC T16106MC-R	1:1/1:1/1:1/1:1	1-2/3-4/5-6/7-8	150	12	0.3	0.3	IN1/SMT
T16109MC T16109MC-R	1CT : 1CT / 1CT : 2CT	1-3 / 6-8	200	14	0.5	0.6	IN2/SMT
T16110MC T16110MC-R	2CT : 1CT / 1CT : 1CT	1-3 / 6-8	200	14	0.5	0.6	IN2/SMT
T16111MC T16111MC-R	1CT:1CT / 1CT:1.414CT	1-3 / 6-8	200	13	0.4	0.5	IN2/SMT
T16112MC T16112MC-R	1CT : 1CT / 1CT :1CT	1-3 / 6-8	140	12	0.3	0.4	IN3/SMT
T16115MC T16115MC-R	1CT : 1CT / 1CT : 2CT	1-3 / 6-8	200	14	0.5	0.6	IN3/SMT
T16116MC T16116MC-R	1CT : 2CT / 1CT : 1CT	1-3 / 6-8	200	14	0.5	0.6	IN3/SMT
T16117MC T16117MC-R	1CT : 2CT / 1CT : 1CT	1-3 / 6-8	112	8	0.3	0.8	IN5/SMT
T16118MC T16118MC-R	1CT : 1CT / 1CT : 1.41CT	1-3 / 6-8	200	15	0.5	0.5	IN6/SMT
T16119MC T16119MC-R	1CT:1CT / 1CT:2CT	1-3 / 6-8	140	15	0.5	0.5	IN7/SMT
T16120MC T16120MC-R	1CT : 2CT / 1CT : 1CT	1-3 / 6-8	200	12	0.3	1.0	IN8/SMT
T16121MC T16121MC-R	1CT : 1CT / 1CT :2CT	1-3 / 6-8	190	15	0.5	0.5	IN6/SMT
T16122MC T16122MC-R	1:1/1:1/1:1/1:1	1-2 / 3-4/5-6/7-8	140	12	0.4	0.4	IN1/SMT
T16123MC T16123MC-R	1:1/1:1/1:1/1:1	1-2/3-4/5-6/7-8	100	12	0.3	0.3	IN1/SMT

Note : All models meet Isolation Voltage (HiPot) of 1500Vrms

Operating Temperature : 0°C to 70°C

OCL, Cw/w and L/L are measured at 20mV , 100KHz

Specifications Subject To Change Without Notice

TAIWAN
TEL: 00886-3-3310896
FAX: 00886-3-3310865

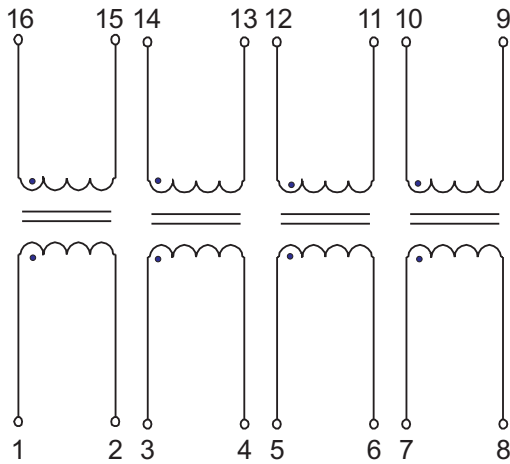
DONGGUAN
TEL: 086-769-86761589
FAX: 086-769-86761549



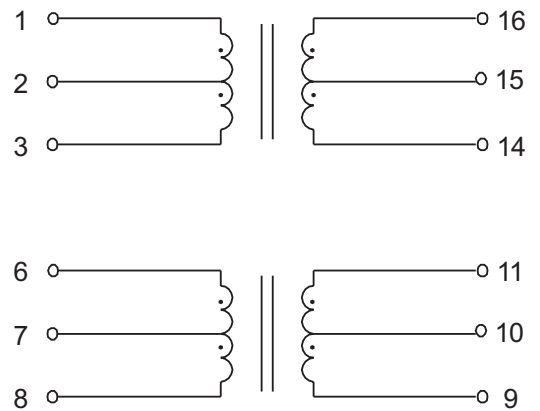
10Base-T Transformer Interface Module

SCHEMATICS

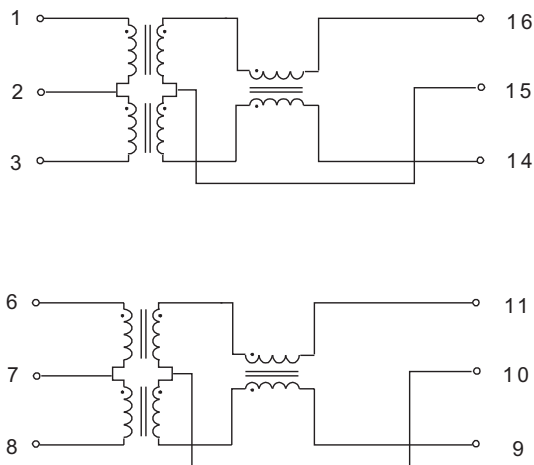
IN 1



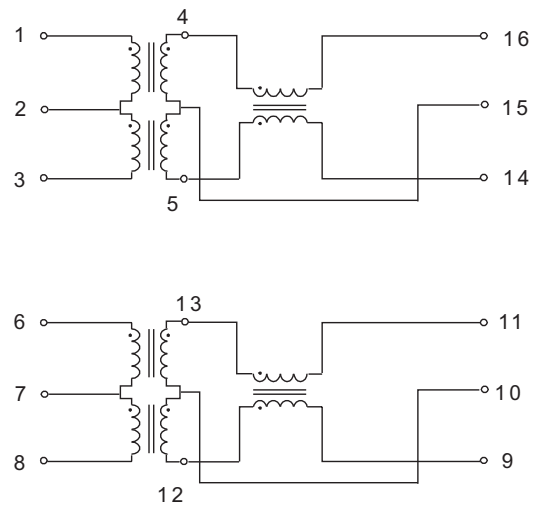
IN 2



IN 3



IN 4



Specifications Subject To Change Without Notice

TAIWAN
TEL: 00886-3-3310896
FAX: 00886-3-3310865

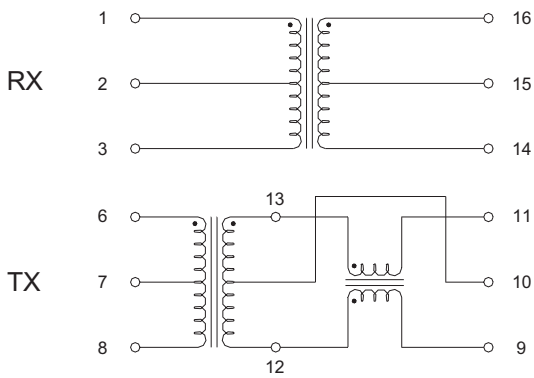
DONGGUAN
TEL: 086-769-86761589
FAX: 086-769-86761549



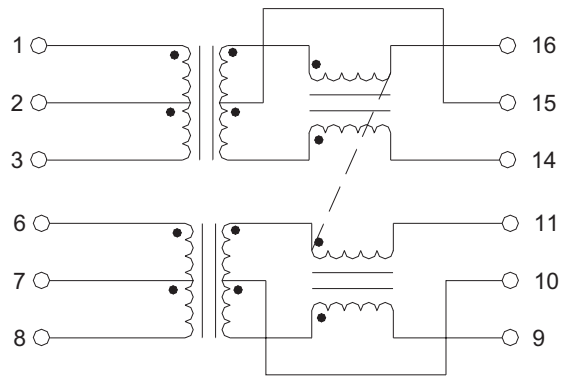
10Base-T Transformer Interface Module

SCHEMATICS

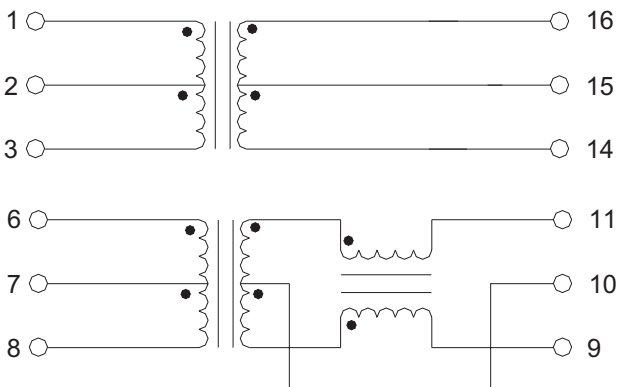
IN 5



IN 6



IN 7



IN 8

Specifications Subject To Change Without Notice

TAIWAN
TEL: 00886-3-3310896
FAX: 00886-3-3310865

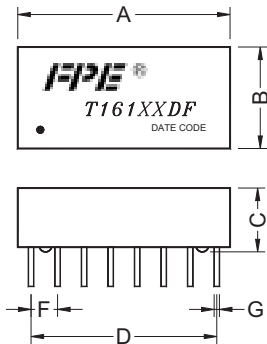
DONGGUAN
TEL: 086-769-86761589
FAX: 086-769-86761549



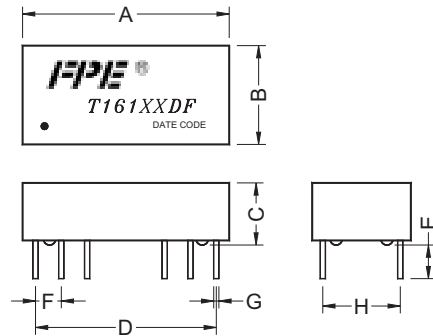
10Base-T Transformer Interface Module

MECHANICAL SPECIFICATIONS

TH 1

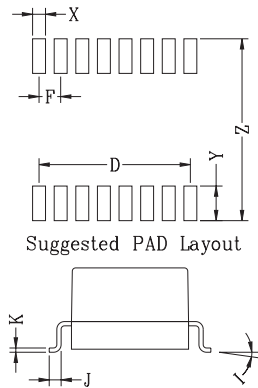
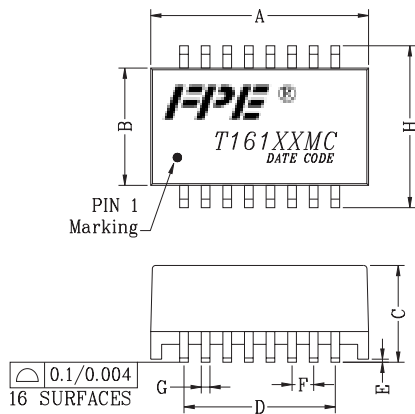


TH2



DIM	MILLIMETERS		INCHES	
	MIN	MAX	MIN	MAX
A	20.07	20.57	0.790	0.810
B	9.53	10.03	0.375	0.395
C	5.84	6.35	0.230	0.250
E	3.1	3.5	0.122	0.138
D	17.78(typical)		0.700(typical)	
F	2.54(typical)		0.100(typical)	
G(DIA)	0.50(typical)		0.020(typical)	
H	7.62(typical)		0.300(typical)	

SMT



DIM	MILLIMETERS		INCHES	
	MIN	MAX	MIN	MAX
A	12.55	13.05	0.494	0.514
B	6.63	7.13	0.261	0.281
C	4.80	5.30	0.189	0.209
D	8.89(Typical)		0.350(Typical)	
E	0.15	0.35	0.006	0.014
F	1.27(Typical)		0.050(Typical)	
G	0.46	0.56	0.018	0.022

DIM	MILLIMETERS		INCHES	
	MIN	MAX	MIN	MAX
H	9.25	9.75	0.364	0.384
I	0□	8□	0□	8□
J	0.65	0.75	0.026	0.030
X	0.71	0.81	0.028	0.032
Y	1.78	2.28	0.070	0.090
Z	10.42	10.92	0.410	0.430
K	0.25	0.35	0.010	0.014

Specifications Subject To Change Without Notice

TAIWAN
TEL: 00886-3-3310896
FAX: 00886-3-3310865

DONGGUAN
TEL: 086-769-86761589
FAX: 086-769-86761549