

10/100BASE-T SINGLE TRANSFORMER FOR PCMCIA

- ◆ Compliant with IEEE 802.3 and ANSI X3.263 standards
Including 350uH OCL
- ◆ Single Channel Interface For 10/100 Mbps Ethernet Applications
- ◆ Comply With ROHS

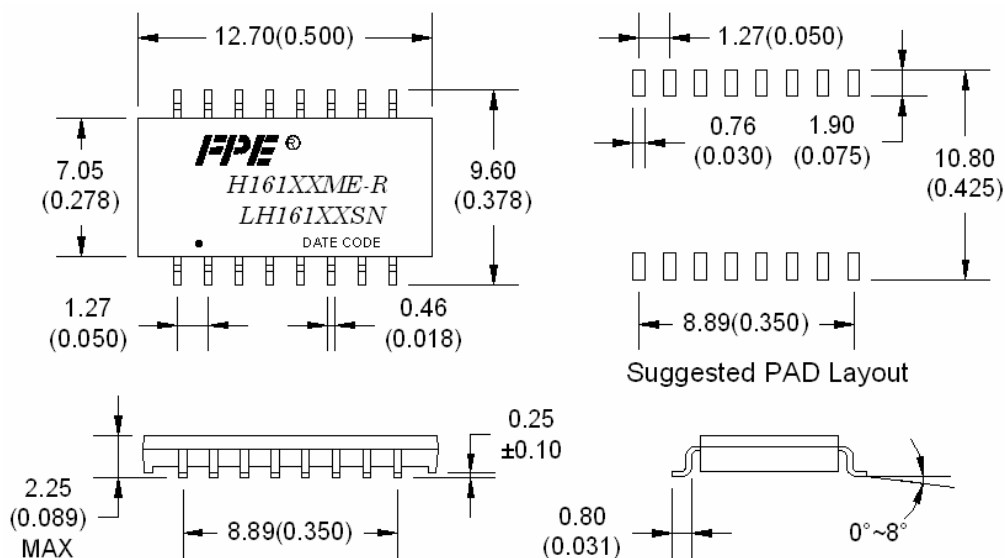


ELECTRICAL SPECIFICATIONS@25°C (Operating Temperature :0°C to 70°C)

Part Number	Turns Ratio ±5%	Insertion Loss(dB max)	Return Loss (dB min)			CMRR (dB min)			Cross Talk (dB min)			Hipot (vrms)
		1-100MHz	1-30 MHz	30-60 MHz	30-60 MHz	1-30 MHz	30-60 MHz	60-100 MHz	1-30 MHz	30-60 MHz	60-100 MHz	
H16104ME-R	1:1	-1.0	-18	-14	-12	-40	-35	-30	-45	-35	-30	1500
H16105ME-R	1:1	-1.0	-18	-14	-12	-40	-35	-30	-45	-35	-30	1500
LH16106SN	1:1	-1.0	-18	-14	-12	-40	-35	-30	-45	-35	-30	1500
LH16108SN	1:1	-1.0	-18	-14	-12	-40	-35	-30	-45	-35	-30	1500
LH16123SN	1:1	-1.0	-18	-14	-12	-40	-35	-30	-45	-35	-30	1500

MECHANICAL

H16104ME-R, H16105ME-R, LH16123SN

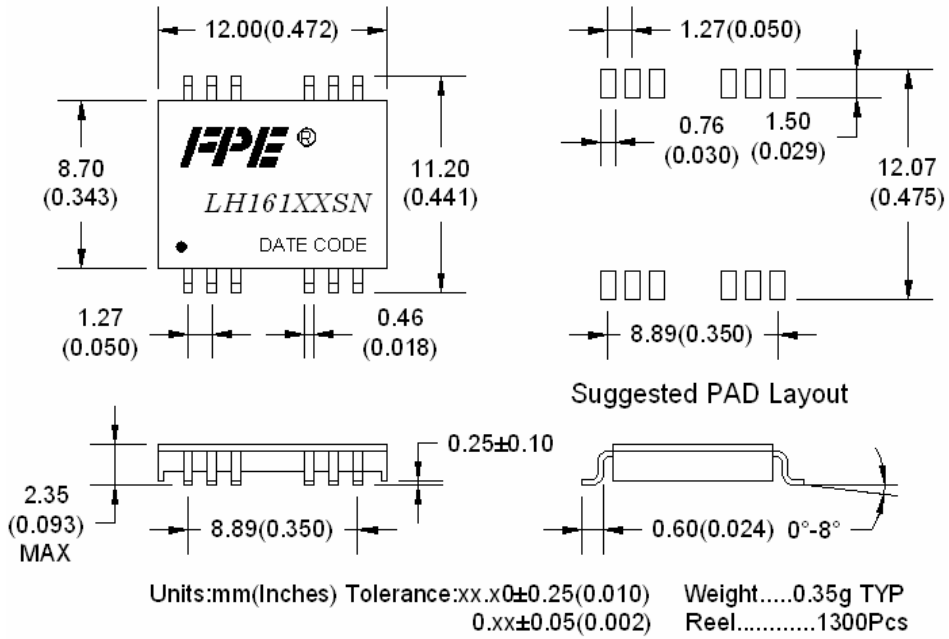


Units:mm(Inches) Tolerance:xx.x0±0.25(0.010) Weight.....0.30g TYP
 0.xx±0.05(0.002) Reel.....1300Pcs

10/100BASE-T SINGLE TRANSFORMER FOR PCMCIA

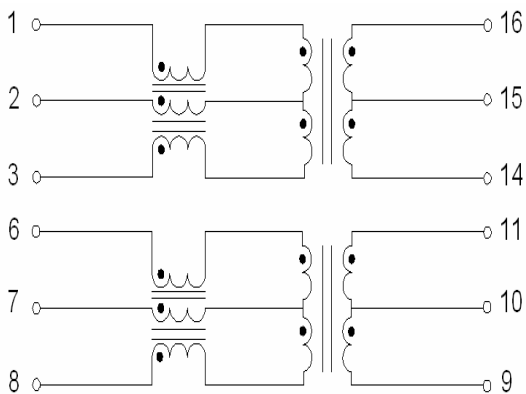
MECHANICAL(Continued)

LH16106SN, LH16108SN

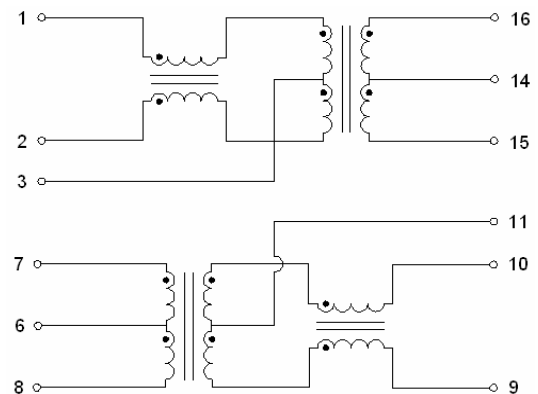


SCHEMATICS

H16104ME-R



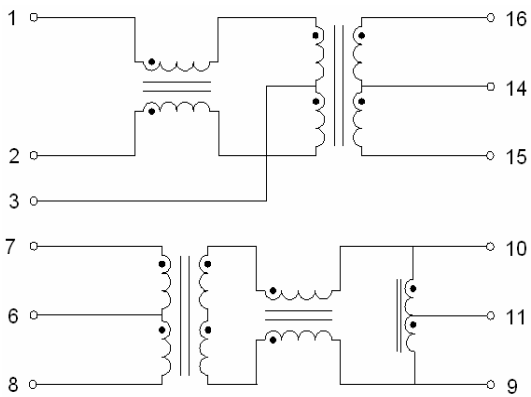
H16105ME-R



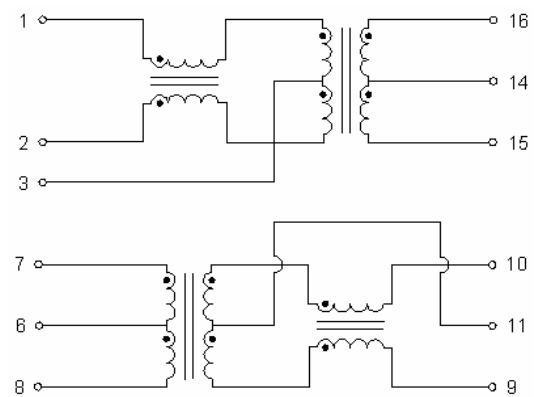
10/100BASE-T SINGLE TRANSFORMER FOR PCMCIA

SCHEMATICS(Continued)

LH16106SN



LH16108SN



LH16123SN

