

10/100BASE-T DUAL TRANSFORMER MODULES

- ◆ Compliant with IEEE802.3 and ANSI X3.263 standards
Including 350uH OCL with 8mA Bias.
- ◆ Dual Channel Interface For 10/100 Mbps Ethernet Applications
- ◆ Comply With ROHS

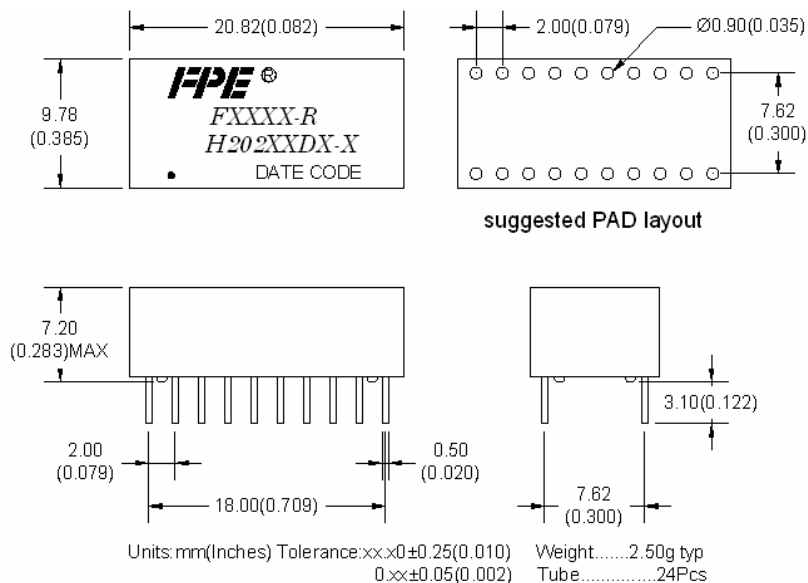


ELECTRICAL SPECIFICATIONS@25°C (Operating Temperature :0°C to 70°C)

Part Number	Turns Ratio ±5%	Insertion Loss(dB max)	Return Loss (dB min)			CMRR (dB min)			Cross Talk (dB min)			Hipot (vrms)
		1-100MHz	1-30 MHz	30-60 MHz	60-80 MHz	1-30 MHz	30-60 MHz	60-100 MHz	1-30 MHz	30-60 MHz	60-100 MHz	
F0035-R	1:1	-1.0	-18	-14	-12	-40	-35	-30	-45	-35	-30	1500
F0042-R	1:1	-1.0	-18	-14	-12	-40	-35	-30	-45	-35	-30	1500
H20202DL-R	1:1	-1.0	-18	-14	-12	-40	-35	-30	-45	-35	-30	1500
H20205DK-R	1:1	-1.0	-18	-14	-12	-40	-35	-30	-45	-35	-30	1500
H20211DL-R	1:1	-1.0	-18	-14	-12	-40	-35	-30	-45	-35	-30	1500
H20220DL-R	1:1	-1.0	-18	-14	-12	-40	-35	-30	-45	-35	-30	1500
LH20235DF	1:1	-1.0	-18	-14	-12	-40	-35	-30	-45	-35	-30	1500

MECHANICAL

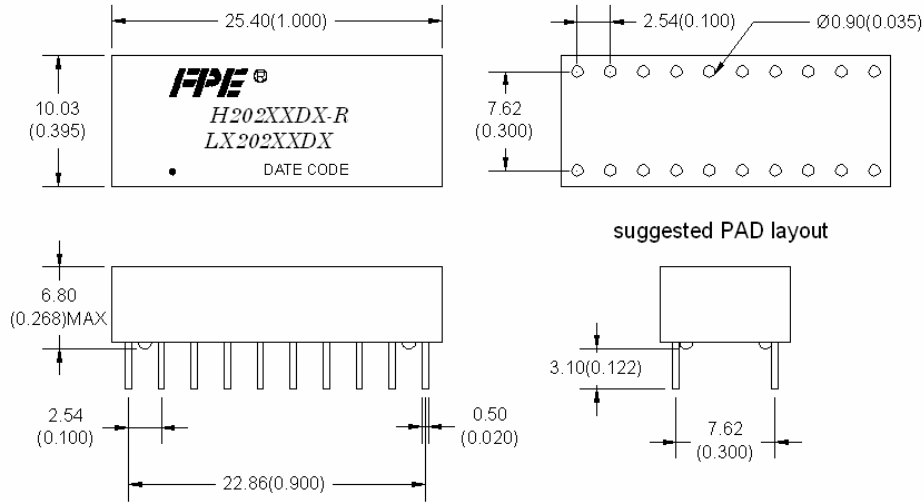
F0035-R, F0042-R, H20205DK-R



10/100BASE-T DUAL TRANSFORMER MODULES

MECHANICAL(Continued)

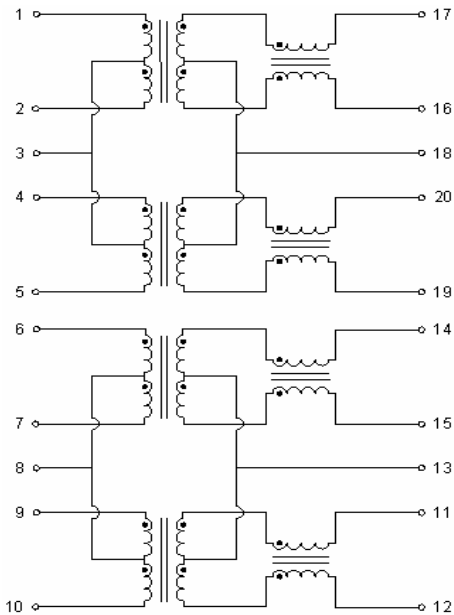
H20202DL-R, H20211DL-R, H20220DL-R, LH20235DF



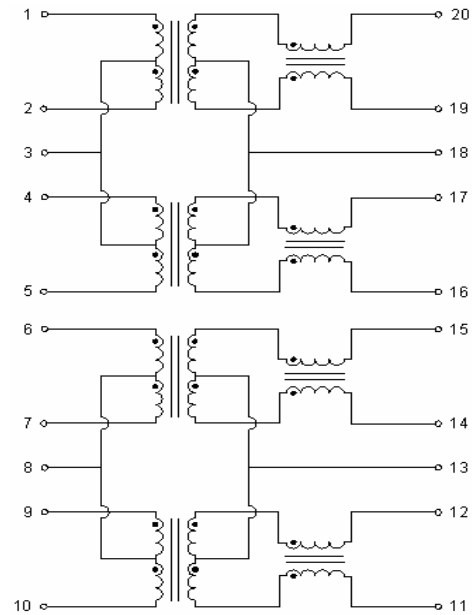
Units:mm(Inches) Tolerance:xx.x0±0.25(0.010) Weight:.....2.80g typ
 0.xx±0.05(0.002) Tube:.....20Pcs

SCHEMATICS

F0035-R



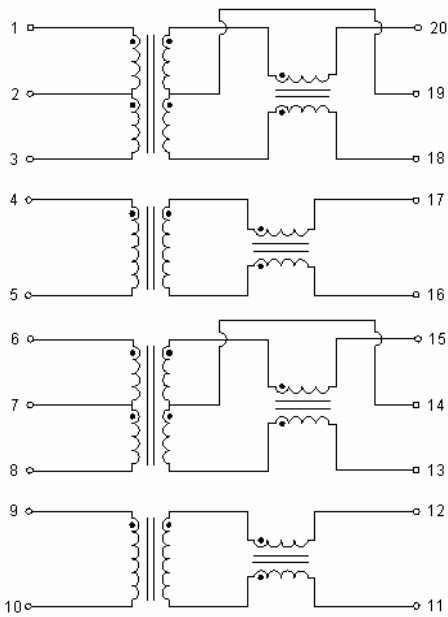
F0042-R, H20202DL-R



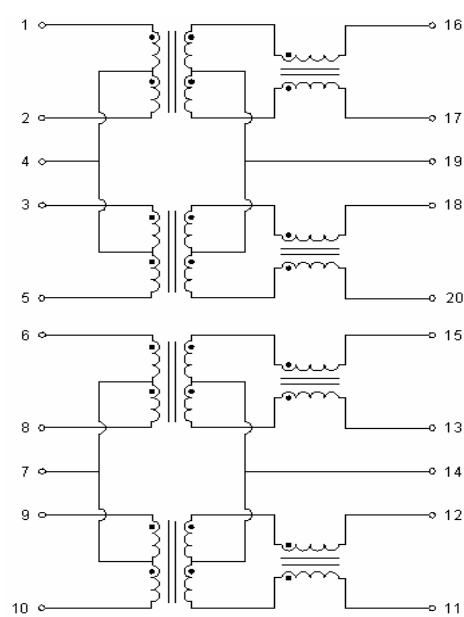
10/100BASE-T DUAL TRANSFORMER MODULES

SCHEMATICS(Continued)

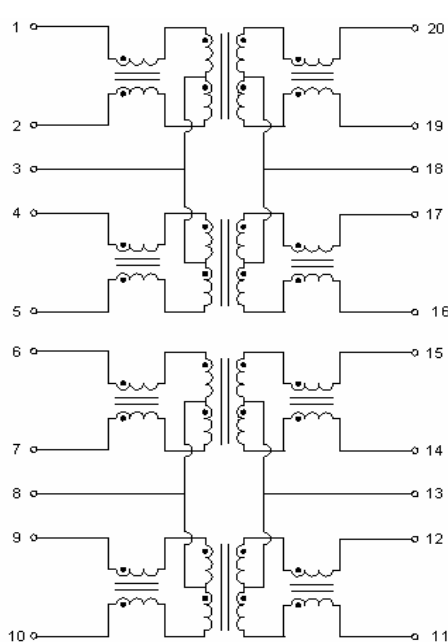
H20205DK-R



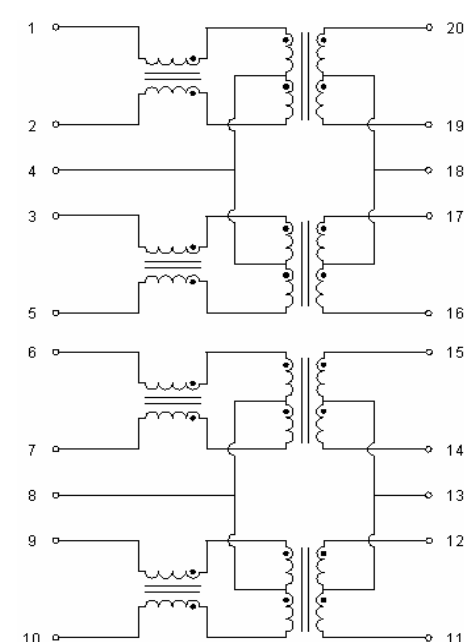
H20211DL-R



H20220DL-R



LH20235DF



TaiWan Kinji Technology Limited

TEL:+886-3-3310896

FAX:+886-3-3310865

DongGuan Meixin Technology Co.,Ltd

TEL:+86-769-86761589

FAX:+ 86-769-86761549

ShangHai Qinshen Technology Co.,Ltd

TEL:+86-798-2620089

FAX:+ 86-798-2620186