

## 100/1000BASE-T QUAD TRANSFORMER MODULES

- ◆ Compliant with IEEE802.3 and ANSI X3.263 standards  
Including 350uH OCL with 8mA Bias.
- ◆ Quad Channel Interface For 100/1000 Mbps Ethernet Applications
- ◆ Comply With ROHS



### ELECTRICAL SPECIFICATIONS@25°C (Operating Temperature :0°C to 70°C)

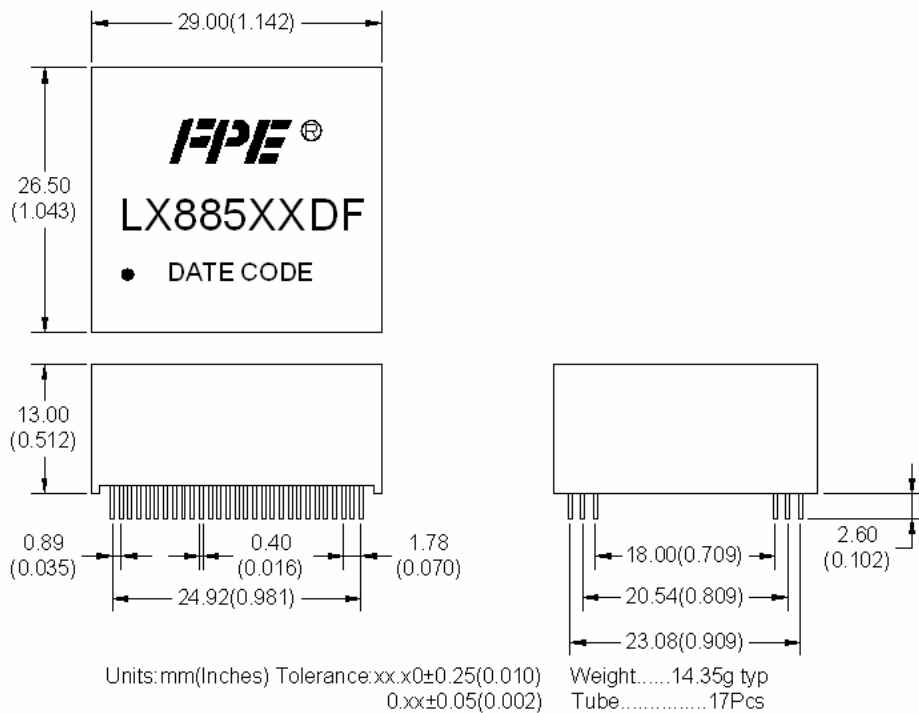
Part Number	Turns Ratio ±5%	Insertion Loss(dB max)	Return Loss (dB min)				CMRR (dB min)			Cross Talk (dB min)			Hipot (vrms)
			1-100MHz	1-30 MHz	30-60 MHz	60-80 MHz	80-100 MHz	1-30 MHz	30-60 MHz	60-100 MHz	1-30 MHz	30-60 MHz	
LG88501DF	1:1	-1.0	-18	-14	-12	-10	-40	-35	-30	-45	-35	-30	1500
LY88502DF*	1:1	-1.0	-18	-14	-12	-10	-40	-35	-30	-45	-35	-30	1500

Note:

\* IEEE802.3at compliant performance

### MECHANICAL

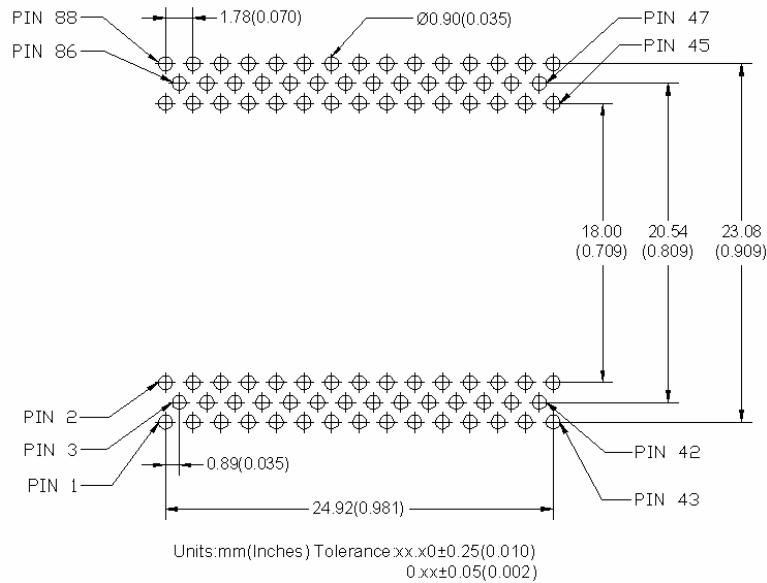
#### LG88501DF, LY88502DF



# 100/1000BASE-T QUAD TRANSFORMER MODULES

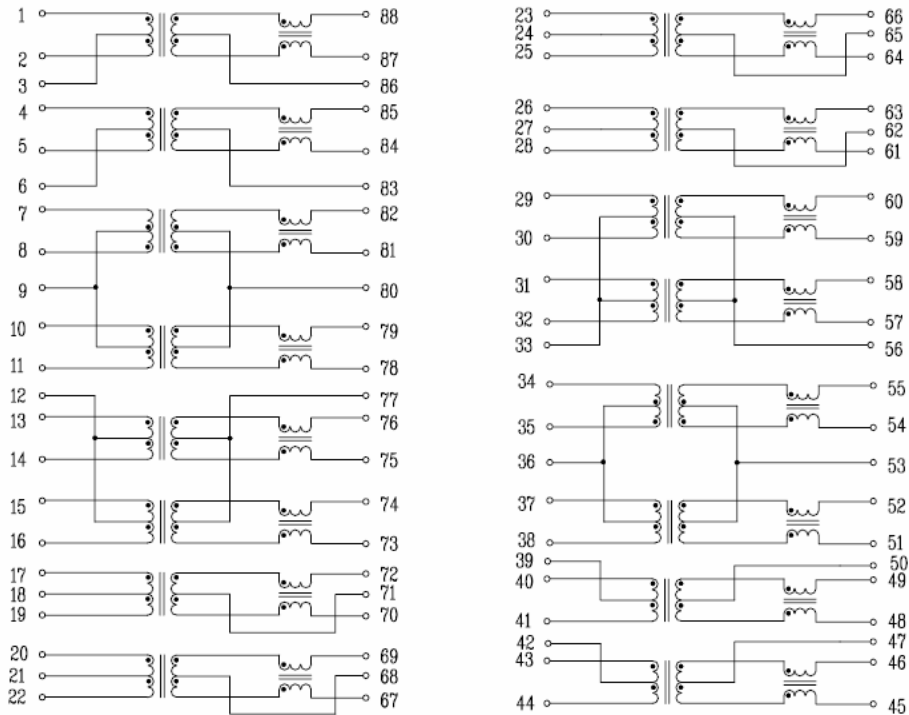
## MECHANICAL(Continued)

### PCB Layout mounting Hole(TOP View)



## SCHEMATICS

### LG88501DF



# 100/1000BASE-T QUAD TRANSFORMER MODULES

## SCHEMATICS(Continued)

### LY88502DF

