

100/1000BASE-T SINGLE TRANSFORMER MODULES

- ◆ Compliant with IEEE802.3 and ANSI X3.263 standards Including 350uH OCL with 8mA Bias.
- ◆ Single Channel Interface For 100/1000 Mbps Ethernet Applications
- ◆ Comply With ROHS

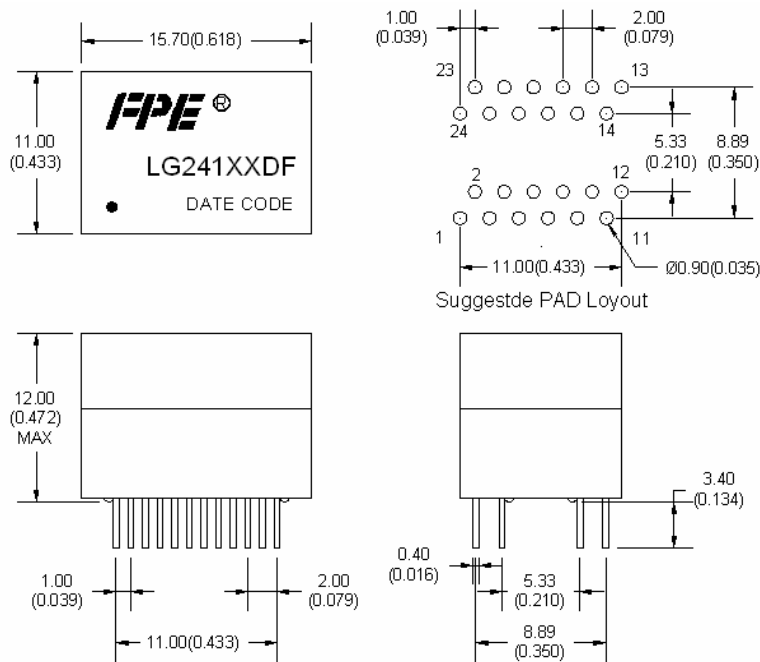


ELECTRICAL SPECIFICATIONS@25°C (Operating Temperature :0°C to 70°C)

Part Number	Turns Ratio ± 5%	Insertion Loss(dB max)	Return Loss (dB min)				CMRR (dB min)			Cross Talk (dB min)			Hipot (vrms)
			1-30 MHz	30-60 MHz	30-60 MHz	80-100 MHz	1-30 MHz	30-60 MHz	60-100 MHz	1-30 MHz	30-60 MHz	60-100 MHz	
LG24105DF	1:1	-1.0	-18	-14	-12	-10	-40	-35	-30	-45	-35	-30	1500
LG24106DF	1:1	-1.0	-18	-14	-12	-10	-40	-35	-30	-45	-35	-30	1500
LG24107DF	1:1	-1.0	-18	-14	-12	-10	-40	-35	-30	-45	-35	-30	1500

MECHANICAL

LG24105DF, LG24106DF, LG24107DF

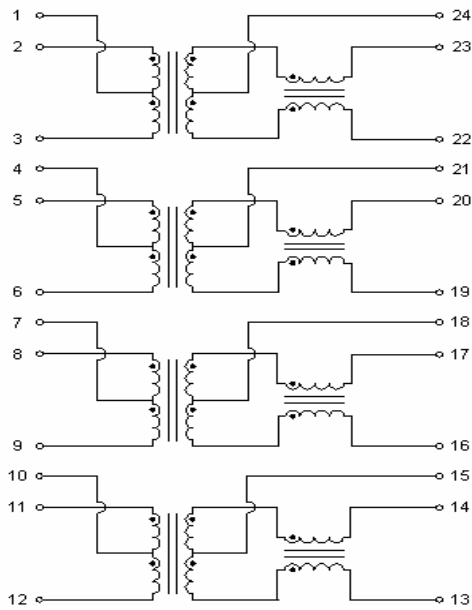


Units: mm(Inches) Tolerance:xx.x0±0.25(0.010) Weight.....2.05g typ
 0.xx±0.05(0.002) Tube.....32Pcs

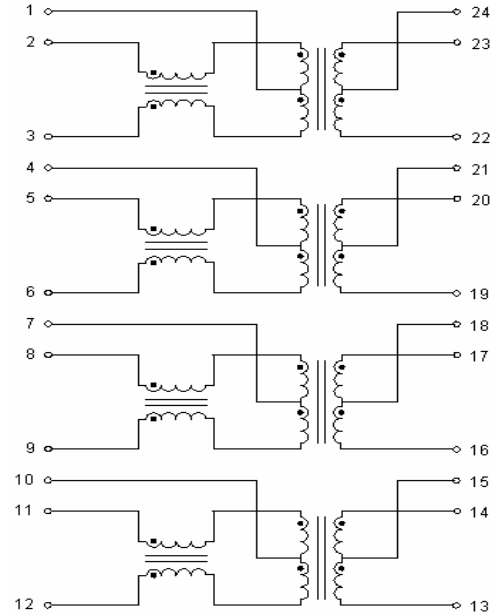
100/1000BASE-T SINGLE TRANSFORMER MODULES

SCHEMATICS

LG24105DF



LG24106DF



LG24107DF

