

100/1000BASE-T SINGLE TRANSFORMER MODULES

- ◆ Compliant with IEEE802.3 and ANSI X3.263 standards
Including 350uH OCL with 8mA Bias.
- ◆ Single Channel Interface For 100/1000 Mbps Ethernet Applications
- ◆ Comply With ROHS



ELECTRICAL SPECIFICATIONS@25°C (Operating Temperature :0°C to 70°C)

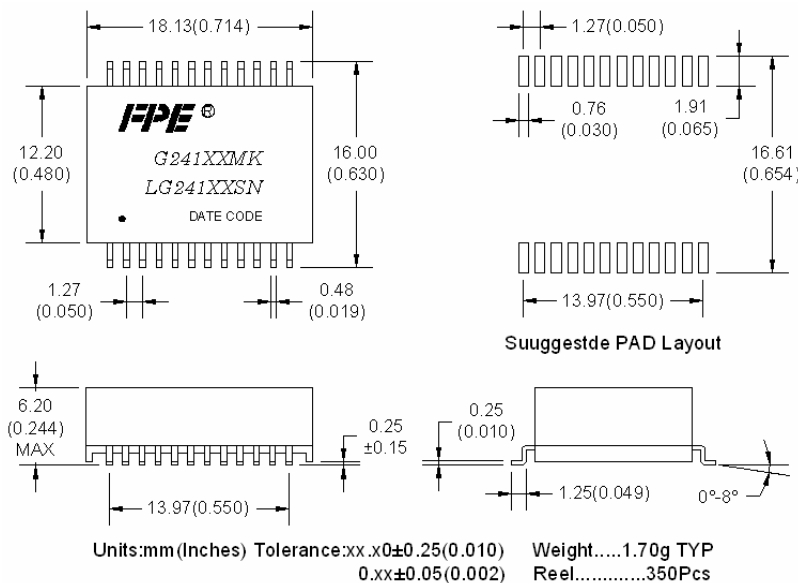
Part Number	Turns Ratio ±5%	Insertion Loss(dB max)	Return Loss (dB min)				CMRR (dB min)			Cross Talk (dB min)			Hipot (vrms)
		1-100MHz	1-30 MHz	30-60 MHz	30-60 MHz	80-100 MHz	1-30 MHz	30-60 MHz	60-100 MHz	1-30 MHz	30-60 MHz	60-100 MHz	
G24101MK	1:1	-1.0	-18	-14	-12	-10	-40	-35	-30	-45	-35	-30	1500
G24102MK	1:1	-1.0	-18	-14	-12	-10	-40	-35	-30	-45	-35	-30	1500
G24107MN-R	1:1	-1.0	-18	-14	-12	-10	-40	-35	-30	-45	-35	-30	1500
G24108MN-R	1:1	-1.0	-18	-14	-12	-10	-40	-35	-30	-45	-35	-30	1500
LG24125SN*	1:1	-1.0	-18	-14	-12	-10	-40	-35	-30	-45	-35	-30	1500
LG24131SN	1:1	-1.0	-18	-14	-12	-10	-40	-35	-30	-45	-35	-30	1500

Note:

* IEEE802.3af compliant performance

MECHANICAL

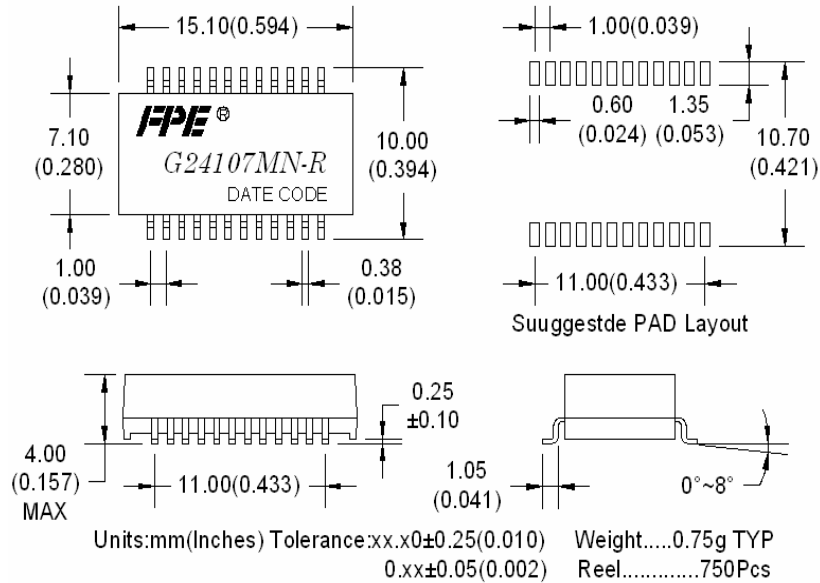
G24101MK, G24102MK, LG24125SN



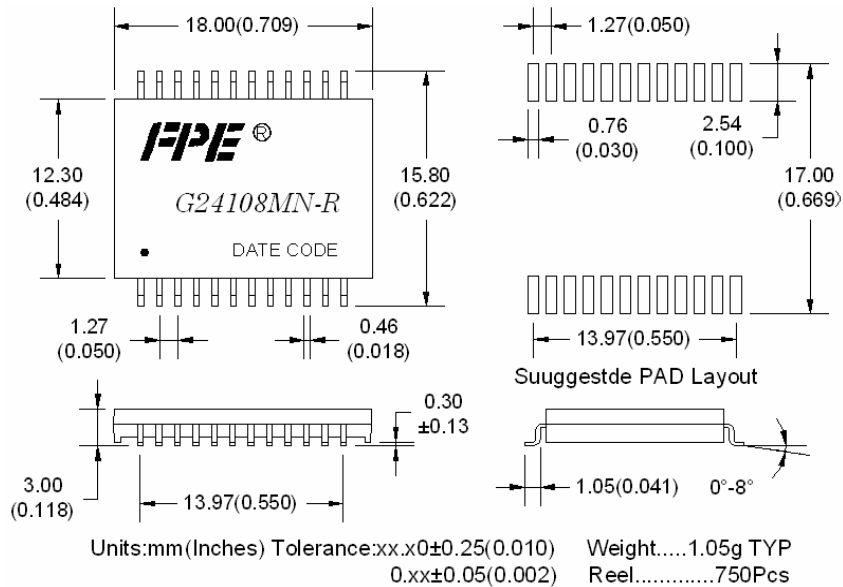
100/1000BASE-T SINGLE TRANSFORMER MODULES

MECHANICAL(Continued)

G24107MN-R



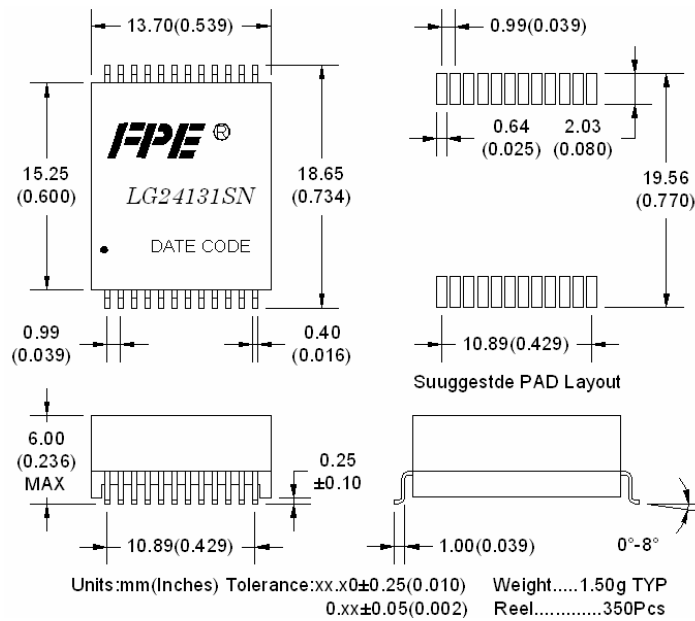
G24108MN-R



100/1000BASE-T SINGLE TRANSFORMER MODULES

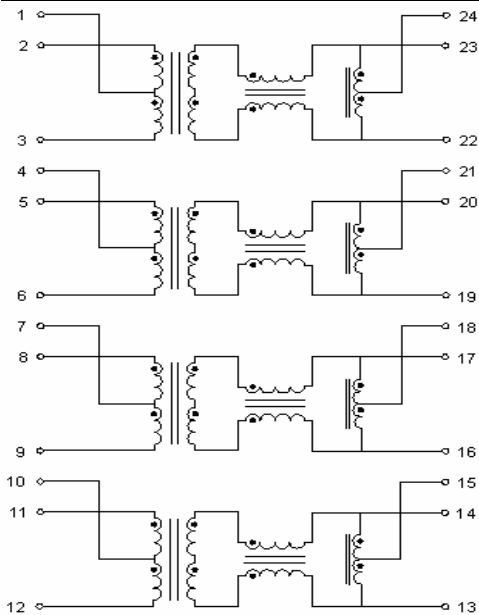
MECHANICAL(Continued)

LG24131SN

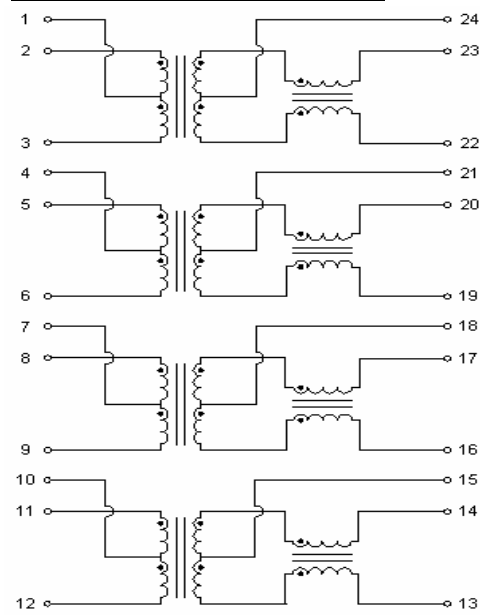


SCHEMATICS

G24101MK, G24108MN-R, LG24131SN



G24102MK, G24107MN-R



100/1000BASE-T SINGLE TRANSFORMER MODULES

SCHEMATICS

LG24125SN

