

100/1000BASE-T DUAL TRANSFORMER MODULES

- ◆ Compliant with IEEE802.3 and ANSI X3.263 standards
Including 350uH OCL with 8mA Bias.
- ◆ Dual Channel Interface For 100/1000 Mbps Ethernet Applications
- ◆ Comply With ROHS

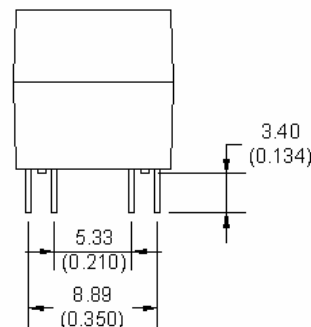
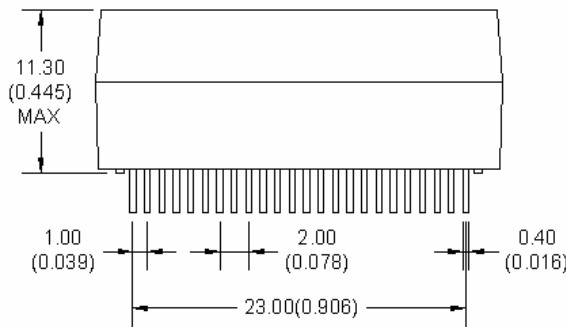
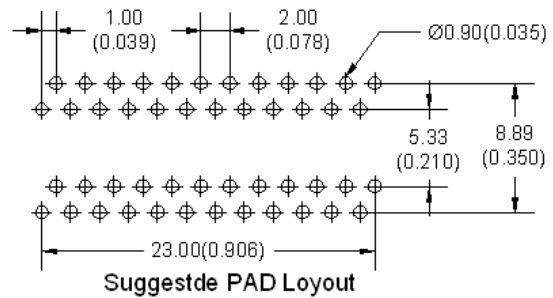
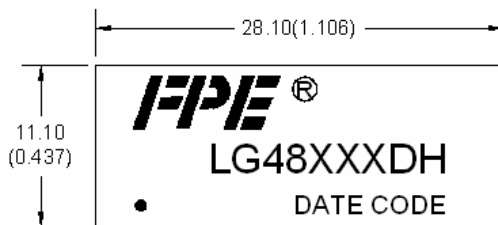


ELECTRICAL SPECIFICATIONS@25°C (Operating Temperature :0°C to 70°C)

Part Number	Turns Ratio ±5%	Insertion Loss(dB max) 1-100MHz	Return Loss (dB min)				CMRR (dB min)			Cross Talk (dB min)			Hipot (vrms)
			1-30 MHz	30-60 MHz	30-60 MHz	80-100 MHz	1-30 MHz	30-60 MHz	60-100 MHz	1-30 MHz	30-60 MHz	60-100 MHz	
LG48201DH	1:1	-1.0	-18	-14	-12	-10	-40	-35	-30	-45	-35	-30	1500
LG48203DH	1:1	-1.0	-18	-14	-12	-10	-40	-35	-30	-45	-35	-30	1500
LG48501DH	1:1	-1.0	-18	-14	-12	-10	-40	-35	-30	-45	-35	-30	1500

MECHANICAL

LG48201DH, LG48203DH, LG48501DH



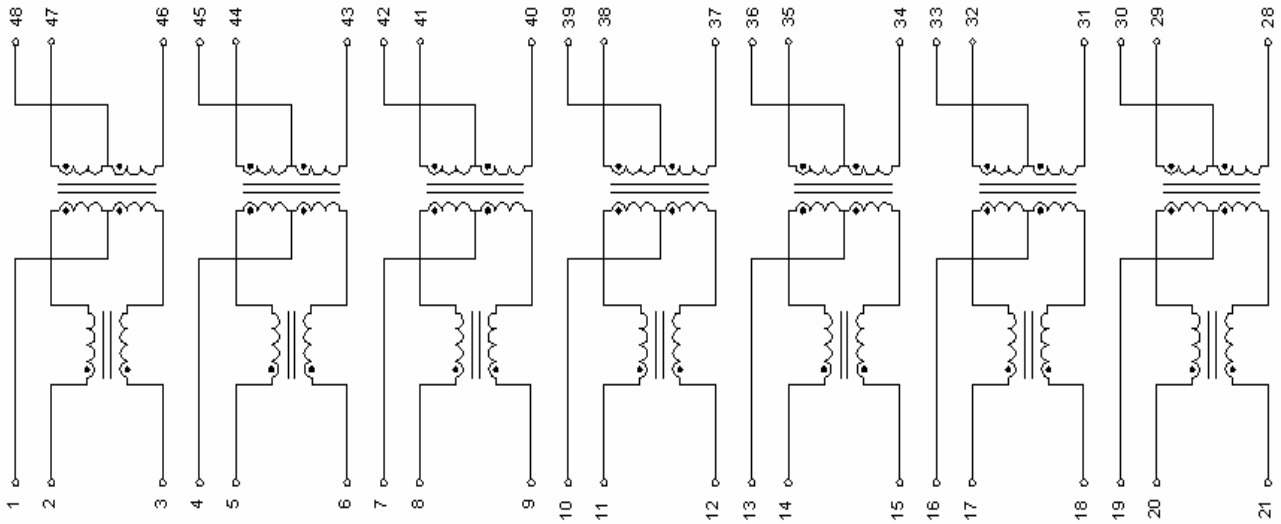
Units:mm(Inches) Tolerance:xx.x0±0.25(0.010)
0.xx±0.05(0.002)

Weight.....4.25g typ
Tube.....18Pcs

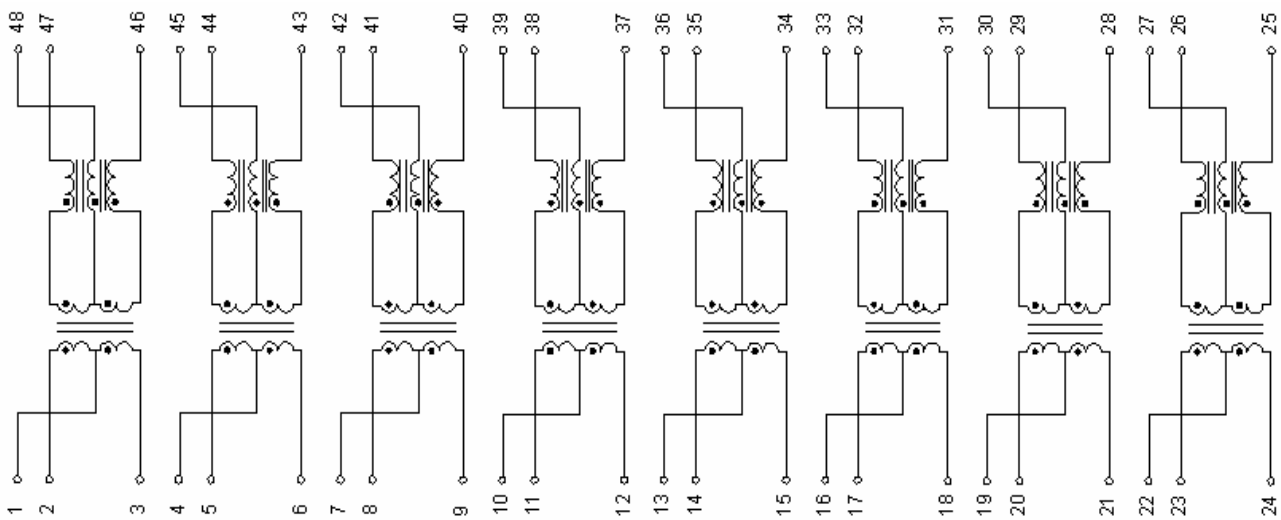
100/1000BASE-T DUAL TRANSFORMER MODULES

SCHEMATICS

LG48201DH



LG48203DH



100/1000BASE-T DUAL TRANSFORMER MODULES

SCHEMATICS(Continued)

LG48501DH

