

- ◆ RoHS Compliant
- ◆ IEEE 802.3at compliant performance
- ◆ 720mA Current Capability Per POE Port
- ◆ Operating temperature: 0°C to +70°C
- ◆ Storage temperature: -40°C to +85°C



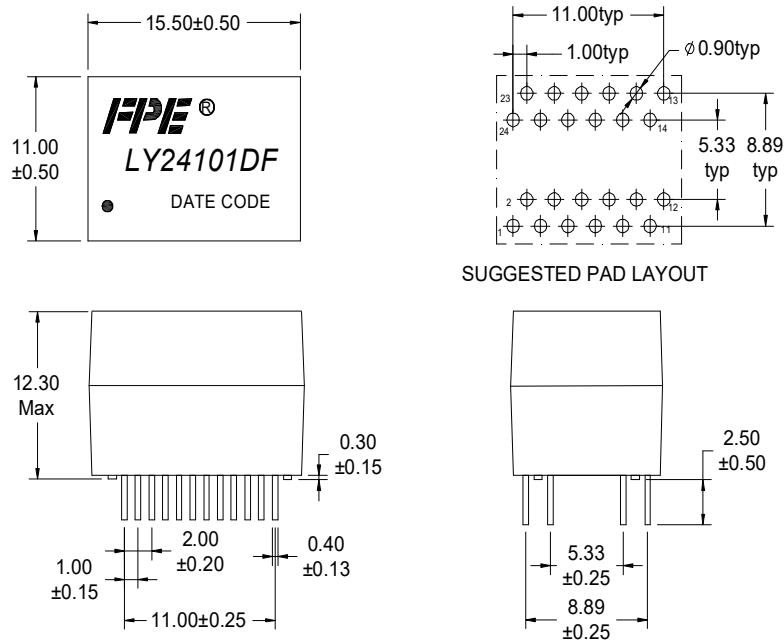
### Electrical Specifications @25°C

Part No.	OCL	LK	DCR	Turns Ratio	HI-POT
LY24101DF	100 KHz, 0.1V with 8mA DC Bias	100KHz, 0.2V	1.4Ω Max	1CT:1CT±5%	1500Vrms
	350 uH Min	0.5uH Max			

### Continue

Insertion Loss	Return Loss		Cross Talk	Common Mode Rejection
0.3-100 MHz	1-40 MHz	40-100 MHz	1-100 MHz	1-100 MHz
-1.0 dB Max	-18 dB Min	-12+20*log(f/80) Min	-30 dB Min	-30 dB Min

### MECHANICAL(Unit:mm)



### SCHEMATICS

